



SM, Stairs

Modular stairs with all steps of the same height; available in 4 different heights. The stairs have adjustable feet which make it possible to place and level the stairs on uneven surfaces.



Attachment to the platform



Connecting stair steps



Handle rails



material construction welded from steel profiles

steps plywood 15mm

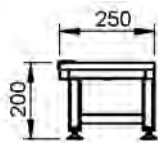
foot adjustment range of 20mm

name	product code	height	steps number	weight
STAIRS 1st PART 20cm 2nd PART 40cm	EDS-SM-04	400mm	2	20 kg
STAIRS 3rd PART 60cm	EDS-SM-06	600mm	3	12,3 kg
STAIRS 4th PART 80cm	EDS-SM-08	800mm	4	13,45 kg

SM, Stairs

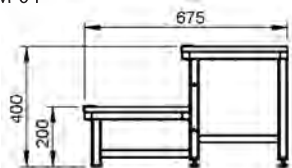
SM-02

code: SSS04.50



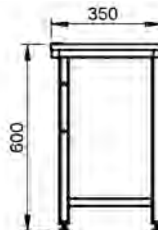
STAIRS 1st PART 20cm

code: EDS-SM-04



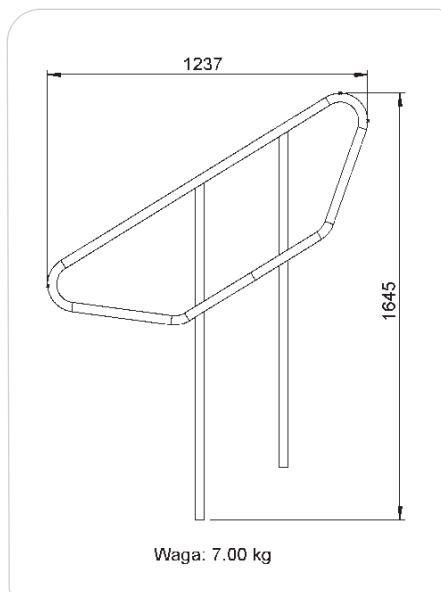
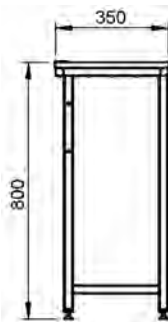
STAIRS 3rd PART 60cm

code: EDS-SM-06



STAIRS 4th PART 80cm

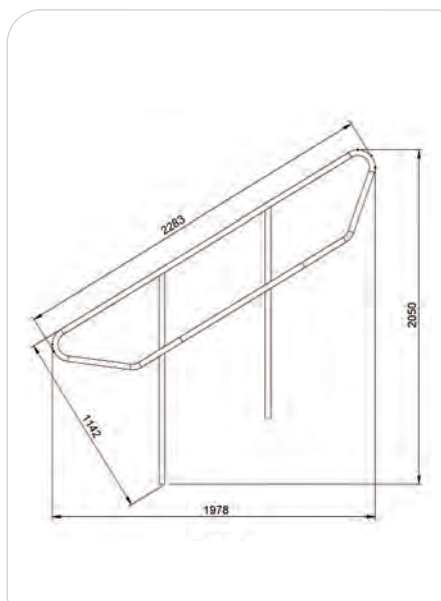
code: EDS-SM-08



Handrail for 3-step stairs

Product code **SBS-03**

material	tube Ø35mm x 1,5 steel
finish	galvanized, option - powder coating
weight	7kg



Handrail for 4-5-step stairs

Product code **EDS-SM-04**

material	tube Ø35mm x 1,5 steel
finish	galvanized, option - powder coating
weight	9kg

