



**PLFRESNEL1 LED Luminaire**

The PLFRESNEL1 LED Luminaire is a general purpose lighting fixture for theatre, small studio, and display lighting applications. It produces an adjustable cone of light with a soft edge which is easily blended with adjacent beams to provide even illumination. Using LED source technology combined with a traditional Fresnel lens, the PLFRESNEL1 LED Luminaire delivers Philips Selecon’s industry benchmark quality without the compromising performance of spreader lenses.

A key benefit of the PLFRESNEL1 LED Luminaire is that it is no longer necessary to change lamps or color filters. Combining the superior control and light quality of a Philips Selecon Fresnel with seamless fading between colors allows designers a new level of creativity. Less power consumption and no dimmer circuits makes the PLFRESNEL1 LED Luminaire the obvious choice for any stage lighting need.

The PLFRESNEL1 also hosts smart cable management with the inclusion of PLICB (PL Interconnect Box). The PLICB mounts to the luminaires yoke, between the C-Clamp and the yoke and swivels independently to allow for the luminaire to move freely through its focus range with no need for a cable service loop. The PLICB allows for all of the luminaires cabling with DMX and PowerCon in and through Connections.



**PLFRESNEL1 LED Luminaire**

**Features**

- Delivers the performance of a 500 watt fresnel fixture with a maximum power consumption of 150 watts
- Variable beam angle from 15 to 54 degrees
- Infinite color choice from the RGBW engine and supporting color temperatures from 2700K to 5600K in white
- Homogenized fully mixed color output light, no multiple color shadows
- Ten’s of thousands of hours of life expectancy
- Quick selection of Warm White, Cool White, and Daylight
- User defined on board presets states available to record your color composition
- Color presets simplifies matching existing light sources
- Constant color balance down to very low light levels irrespective of intensity setting
- DMX512 Input/Output with 8 or 16-bit resolution or a simple 3-channel control (PLICB)
- On-board LCD menu for ease of luminaire set up and addressing
- No ultra-violet (wavelengths of less than 400nm) – for UVA, B or C or the Infrared spectrum (wavelengths of more than 775nm)
- Luminaire color: black
- Electronic universal power supply 100-240VAC
- PowerCon In and Through connectors (PLICB)
- Electronic power supply; ETL / cETL approved and CE marked



**SPECIFICATION SUBMITTAL**

CONSULTANT: <input type="text"/>	PROJECT NAME: <input type="text"/>	MODEL NUMBER   QUANTITY: <input type="text"/> <input type="text"/>   <input type="text"/> <input type="text"/> <input type="text"/> <input type="text"/>
DATE: <input type="text"/>	PROJECT NUMBER: <input type="text"/>	APPROVED BY: <input type="text"/>



## PLFRESNEL1 LED Luminaire

### Advanced Control

The PLFRESNEL1 LED luminaire has an on-board LCD menu system for luminaire setup, control, and addressing. The menu system is extremely user-friendly and offers all configuration options with a few button presses.

### Console Control

All PLFRESNEL1 luminaires support wired and wireless DMX512 control with a choice of 8 or 16 bit control resolution or simple 3-channel control. With the increased development of LED luminaires like PL1 and PL3 with 4 or more colors additional control is needed for intuitive operation. All Strand Lighting NEO and Palette family controls support extended color control and color temperature control to simplify programming and luminaire color matching.

### PLFRESNEL1 LED Engine

The PLFRESNEL1 luminaire’s powerful LED engines offer exceptional performance and life. Under normal operating conditions our LED engine has a potential life expectancy of up to 50,000 hours, however under worst case operating conditions with the luminaire set to continuous full output it is possible that a small percentage of LEDs may require replacement sooner. The Philips Selecon three-year limited warranty includes our guarantee against premature failure of the LED engine.

The PLFRESNEL1 luminaire uses the same proven LED engine as the Philips Selecon PL3, PL1, PLCYC1, PLPROFILE1 and the Philips Vari-Lite VLX luminaires meaning the color experience is simplified across the stage.

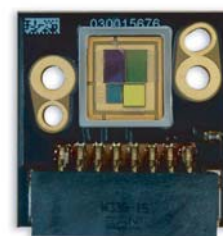


PLFRESNEL1 Luminaire Advanced Control

- ① LCD Menu Display
- ② Local controls offer the ability to access preset color temperatures; locally stored custom presets adjust intensity; colors and motorized focus.



Strand Lighting NEO Console



PLFRESNEL1 Luminaire LED Engine



For product photometric information, refer to the photometrics guide for this product on the Strand Lighting web site at [www.strandlighting.com](http://www.strandlighting.com) in the product downloads section.

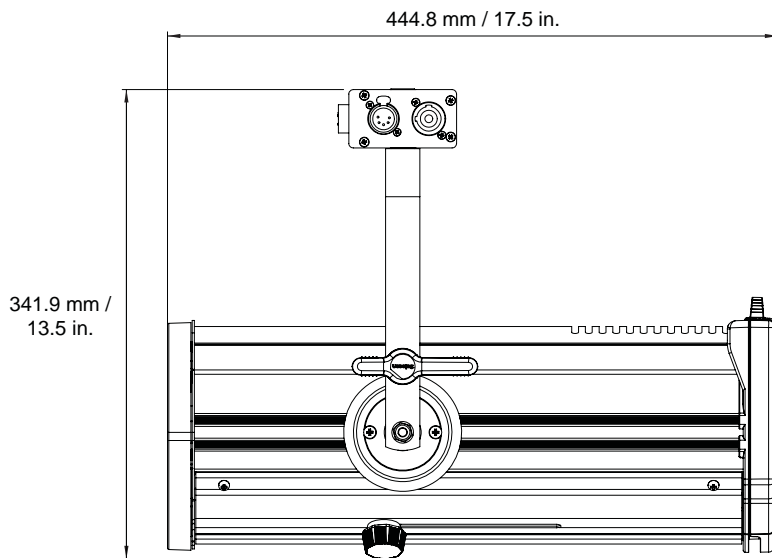
Technical Specifications

Electrical Specifications	Mechanical Specifications
Source: 1 Each, True RGBW 120W LED chip	Construction: Machined aluminum, sheet metal, and molded engineering grade plastic components
Operating Voltages: 120 to 240 Volts AC (auto-ranging)	Color: Black
Frequency: 50/60 Hz	Weight: 12.3 lbs / 5.6 kg (luminaire only)
Current Draw: 1.3 Amps (115V) / 0.65 Amps (230V) - Maximum load with all LEDs at full RGBW	Optical Specifications
Power Consumption: 150 Watts (max., RGBW at 100%)	Output: > 2,000 lumens (white light)
Ambient Temperature: 0° to 40°C (32° to 104°F)	Beam Angle: 15 to 54 Degrees (user adjustable)
Control: On-Board Menu / DMX512	
DMX512 Channels: 15 Channels (16-Bit Mode) 9 Channels (8-Bit Mode) 3 Channels (3-Channel Mode)	
Standards Compliance: ETL/cETL Listed and CE Marked	

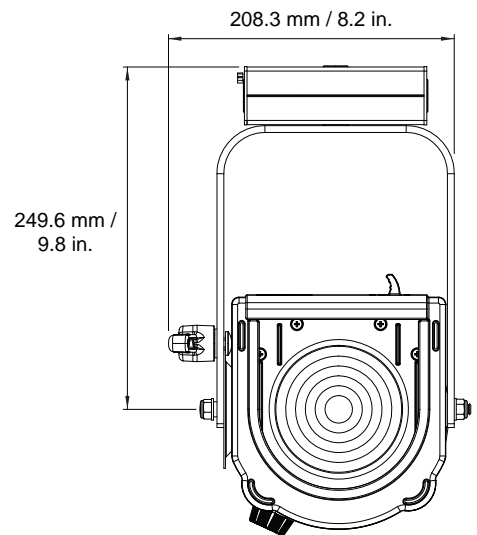


Dimensions

Side View



Front View





**Top Box (PLICB) Luminaire Connections**

