

Product Specification Sheet

Aurora Cyc



A range of asymmetric floods 1.0kW / 1.25kW to light the cyc or back-cloth with a visually even wash of light from a top mounting position.

Designed to light cloths up to 10m high from a throw distance of 2-3m.

Features

Light beam is very smooth and falls off evenly without visible high lights or shadows.

The extruded aluminium reflector guarantees repeatability of beam characteristics.

Robust construction from a combination of aluminium extrusions and formed steel panels.

Filter life is maximised by the dual air-flow chamber construction.

Filter frame size ensures an economic two frame cut out of a standard filter sheet.

The filter frame is flat ensuring it can be mounted into the luminaire with ease.

Re-lamp without removing the colour filter holder via the hinged front filter holder assembly.

Available in a variety of configurations with your choice of multi connector options.

Lamps: 220V-240V

P2/12 1250W
33,750 lumens 200 hours average life

P2/7 1000W
26,000 lumens 200 hours average life

P2/10 625W
16,250 lumens 200 hours average life

Order Codes

10AUCYC1
Aurora Cyc

10AUCYC1PO
Aurora Cyc with pole operation

10AUCYC3L
Aurora Cyc 3-way Linear Cyc (tails out)

10AUCYC4S
Aurora 4-way Square Cyc

10AUCYC4SPO
Aurora 4-way Square Cyc with pole operation

10AUCYC4L
Aurora 4-way Linear Cyc (tails out)

10AUCYC4LW
Aurora 4-way Linear Cyc (Wieland)

10AUCYC4LS
Aurora 4-way Linear Cyc (Socapex)

20BDAU
Aurora Barndoor

20HC
Suspension Hookclamp

20SC
Safety Bond

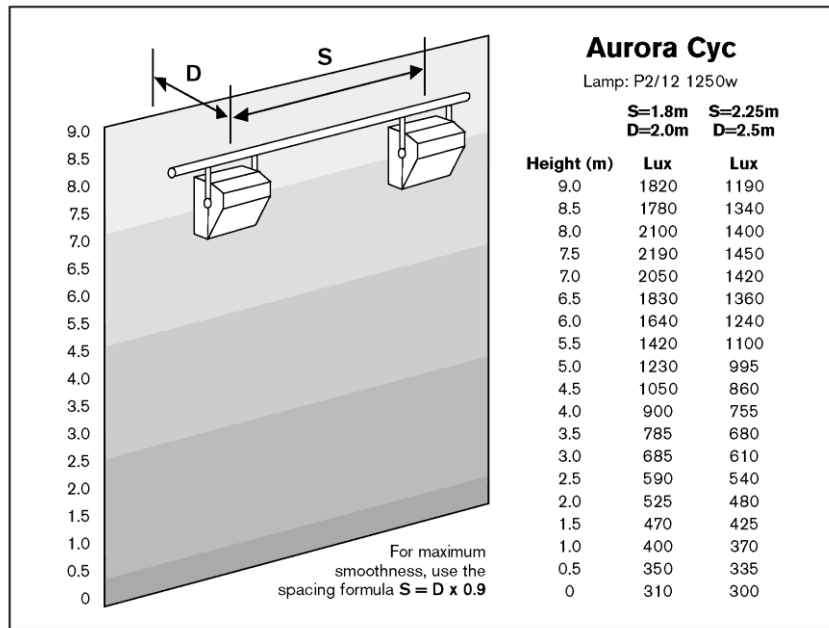
Approvals

Compliant to CE standards.

The Aurora Cyc is a high performance entertainment luminaire designed for entertainment and studio applications; it is not designed for continuous use as required for a work light or rehearsal light. For these applications please use the Hui or Lui Work Light.

Photometric Data

Tests conducted using a standard 1250W, 240V, 189mm P2/12 lamp.



Physical Data

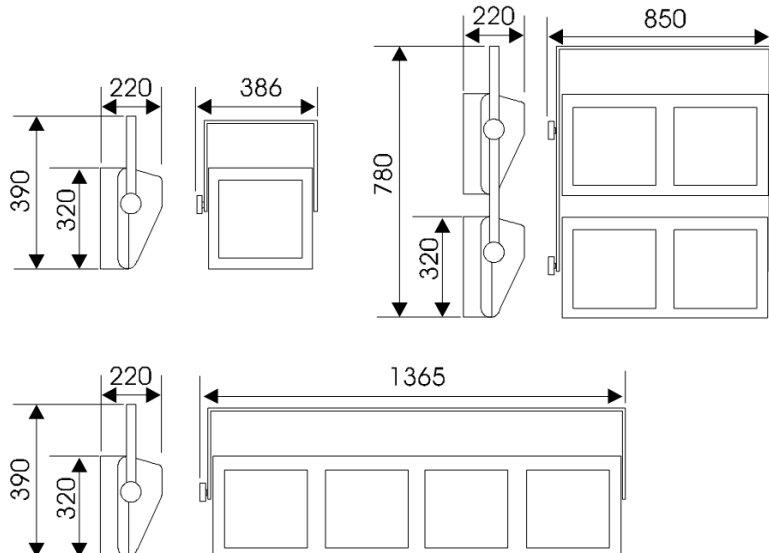
Packed Weights:

Single: 9.1kg

3 way batten: 23kg 4 way linear: 30kg 4 way square: 33kg

Colour frame size: 305mm x 315mm

Included: 1x colour frame for single, 4x colour frames for 4- way, 1 x M12 nut & bolt set, instruction leaflet.



Philips Selecon reserves the right to change the specifications without notice (October 2011).

PHILIPS
Selecon