

Product Specification Sheet

PLPROFILE1



The PLPROFILE1 is a variable beam profile with precise beam control and pattern projection from a high output beam. An innovative combination of LED source technology and precision optical design, the PLPROFILE1 delivers Philips Selecon's industry benchmark projection quality in a compact, robust luminaire.

The PLPROFILE1 uses the same proven LED engine as the Philips Selecon PL3, PL1, PLCYC1, PLFRESNEL1 and the Philips Vari-Lite VLX ranges meaning colour matching is simplified across the stage. The user interface is the same ensuring ease of use.

A key benefit of the PLPROFILE1 is that it is no longer necessary to change lamps or colour filter. Combining the superior control and light quality of a Philips Selecon Profile with seamless fading between colours allows designers a new level of creativity. Less power consumption and no dimmer circuits makes the PLPROFILE1 the obvious choice for pattern projection and stage washes.

Features

Single source RGBW LED chip delivers limitless colour mixing and variable colour temperature.

Available in 18-34 or 24-44 beam angles.

Interchangeable lens tray between medium and wide versions.

Slot provided for iris, M size pattern holder, or third party effect accessory.

Homogenised fully mixed light, no multiple colour shadows.

Quick selection of colour pre-sets.

No need for lamp replacement or filter maintenance.

No need for dimmers, connect directly to mains supply.

PowerCon In/Out Power connectors.

DMX512 Input/Output with 8 or 16-bit resolution.

Onboard LCD Menu for ease of addressing/setup.

Fitted with rated safety cable.

Electrical Specifications

Voltage: 100 – 240 VAC

Wattage: 150W Max. (RGBW @100%)

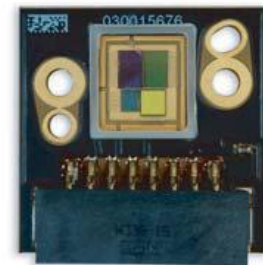
Current: 1.3A @115V / 0.65A @230V

Maximum 20A Thru Current

PLPROFILE1 LED Engine

The PLPROFILE1's powerful long-life LED engine offers exceptional performance and life.

The Philips Selecon three-year limited warranty includes our guarantee against premature failure of the LED engine.



Approvals



Designed to comply fully with CE standards.

Photometric Data

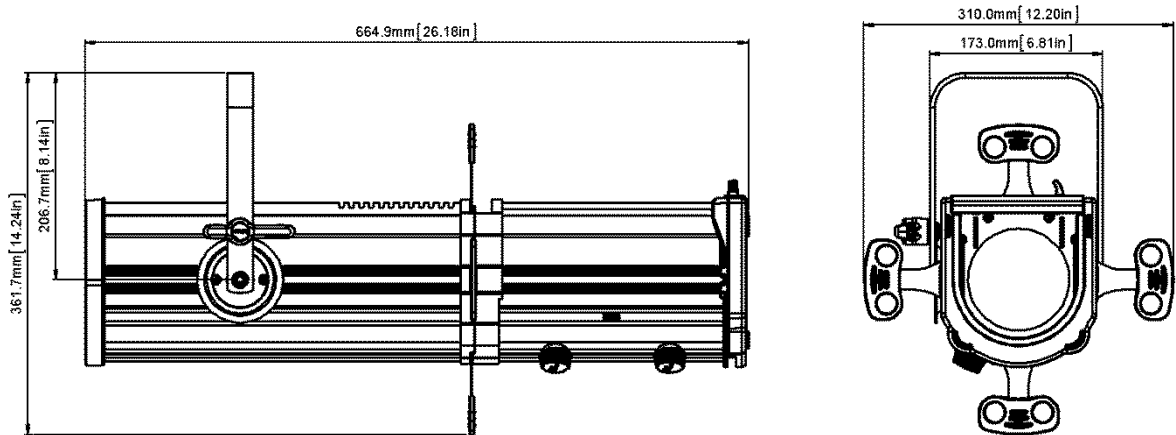
Beam Angle (Field Angle): 18° - 34°
 Nominal Chip Lumens : 2000 Lumens
 Maximum Chip Power: 120W
 Maximum Total Power: 150W

Colour	Chip Only Power (W)
WARM WHITE	64
COOL WHITE	81
DAY LIGHT	100
RED ONLY	23
GREEN ONLY	46
BLUE ONLY	26
WHITE ONLY	30

Physical Data

Weight: 8.5 kgs Provisional

Included: 1x M12 suspension bolt and instruction leaflet.



Order Codes

PLZS1-1834-03 18°-34° PLPROFILE-1 supplied with a single power cable and DMX in and DMX out cable, black.
PLZS1-1834-03P 18°-34° PLPROFILE-1 supplied with a single power cable, NZ/Australia plug and a DMX in and DMX out cable, black.
PLZS1-2444-03 24°-44° PLPROFILE-1 supplied with a single power cable and DMX in and DMX out cable, black.
PLZS1-2444-03P 24°-44° PLPROFILE-1 supplied with a single power cable, NZ/Australia plug and a DMX in and DMX out cable, black.

PLZS1-1834-03TBX 18°-34° PLPROFILE-1 supplied with a single power cable connected to a yoke mounted top box. The top box has Powercon in and out and DMX in and out sockets, black.
PLZS1-1834-03PTBXP 18°-34° PLPROFILE-1 supplied with a single power cable connected to a yoke mounted top box. The top box has Powercon in and out and DMX in and out sockets, NZ/Australia plug, black.
PLZS1-2444-03TBX 24°-44° PLPROFILE-1 supplied with a single power cable connected to a yoke mounted top box. The top box has Powercon in and out and DMX in and out sockets, black.
PLZS1-2444-03PTBXP 24°-44° PLPROFILE-1 supplied with a single power cable connected to a yoke mounted top box. The top box has Powercon in and out and DMX in and out sockets, NZ/Australia plug, black.
15ACGH Pattern holder for M size patterns - black handle.

Philips Selecon reserves the right to change the specifications without notice (November 2012).