

# convert 18A

Self-powered subwoofer system



- » **Direct radiator subwoofer**
- » **18" low frequency speaker**
- » **1000 W class D power amplifier**
- » **Variable Low Pass Filter**
- » **Selectable polarity switch**
- » **Stereo input**
- » **Deep/Loud EQ switch**

The Convert 18A compact subwoofer system is the ideal complement for the Convert 12A extending the bandwidth of the array to 35 Hz.

The cabinet design incorporates rigging hardware that permits a column of Convert 12A's to be flown from the Convert 18A.

The Convert 18A utilizes a single 18" cone transducer. The 18H loudspeaker incorporates a 4" (100 mm) voice coil with in/out winding and carefully engineered cooling scheme efficiently evacuates voice-coil heat providing a high power handling capability and low power compression.

A 1000 W class D amplifier powers the Convert 18A subwoofer system. The amplifier is self-cooled so no fans or bulky heatsinks are required.

The amplifier input panel offers stereo inputs. A user selectable low pass filter ensures a smooth transition to systems connected to the stereo outputs.

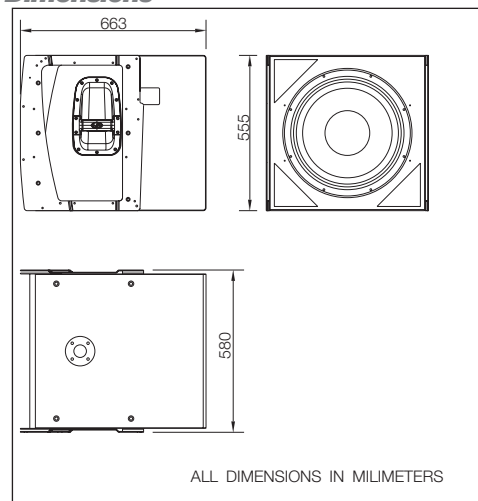
Signal present and limiter leds indicate the system status and assist in setting the optimum level, via the level control knob.

The top panel contains a threaded pole mount socket for use with 35 mm metal posts for mounting fullrange D.A.S. systems above the Convert 18A sub-woofer unit.

### Technical Specifications

<b>Power Amplifier<sup>1</sup></b>	2000 W <sub>peak</sub> - 1000 W <sub>continuous</sub>
<b>Input Type</b>	Balanced Differential Line
<b>Input Impedance</b>	Line: 20 kohms
<b>Sensitivity</b>	Line: 1.95 V (+8 dBu)
<b>On-axis Frequency Range (-10 dB)</b>	35 Hz - 160 Hz (variable LPF)
<b>Maximum Peak SPL at 1 meter</b>	134 dB
<b>Enclosure Material</b>	Birch Plywood
<b>Finish</b>	Black Paint
<b>Transducers/Replacement Parts</b>	18 H / GM 18G
<b>Connectors</b>	INPUT: 2 x Female XLR LOOP THRU: 2 x Male XLR AC INPUT: PowerCon NAC 3 FCA AC OUTPUT: PowerCon NAC 3 FCB
<b>AC Power Requirements</b>	115 V, 3.2 A, 50 Hz/60 Hz 230 V, 1.6 A, 50 Hz/60 Hz
<b>Dimensions (H x W x D)</b>	56 x 57.6 x 67 cm 22 x 22.7 x 26.4 in
<b>Weight</b>	47 kg (103.6 lbs)
<b>Accessories (optional)</b>	TRD-6 AX-convert12

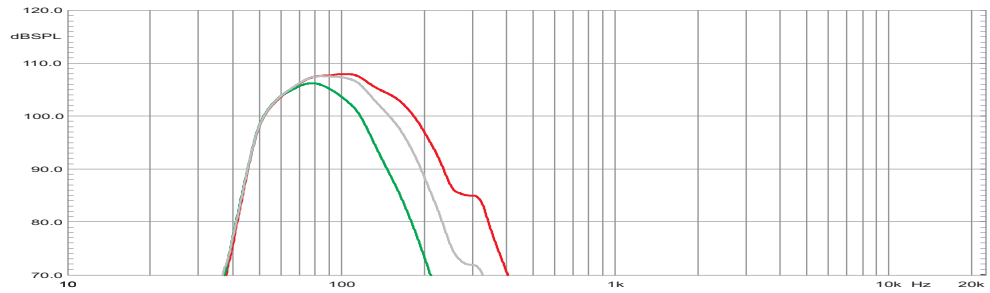
### Dimensions



1. Continuous power at driver impedance.

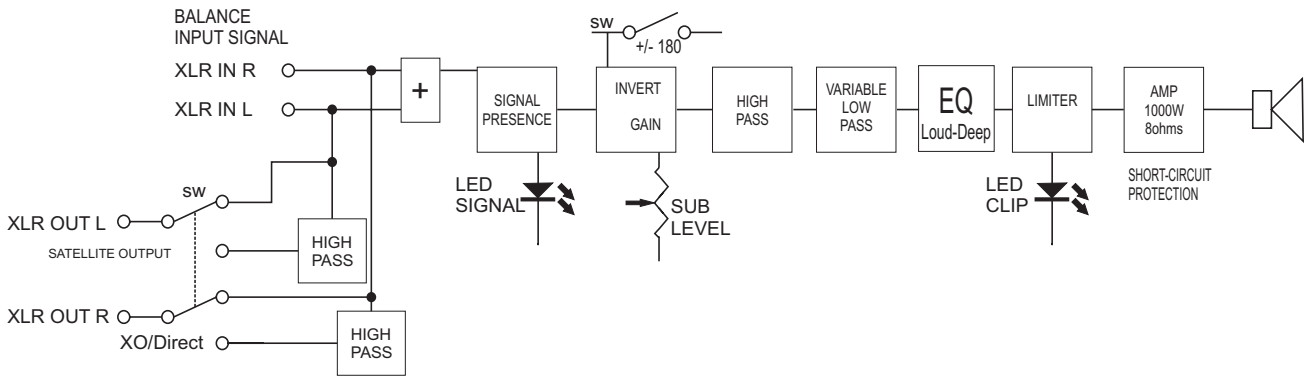
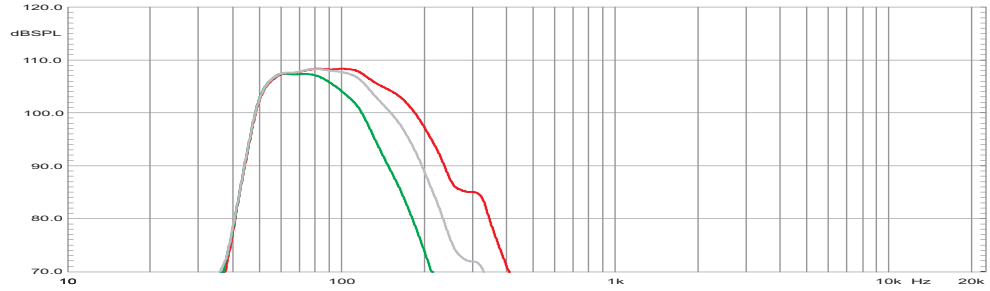
**Frequency Response (Loud EQ)**

Shows the frequency response at 1 m of a unit radiating to an anechoic environment and driven by a swept sine wave signal (-20 dBu input). Red: LPF 160 Hz. Grey: LPF 125 Hz. Green: LPF 100 Hz.



**Frequency Response (Deep EQ)**

Shows the frequency response at 1 m of a unit radiating to an anechoic environment and driven by a swept sine wave signal (-20 dBu input). Red: LPF 160 Hz. Grey: LPF 125 Hz. Green: LPF 100 Hz.



NOTES. 1.Frequency response: referred to 1 m; low end obtained through the use of near field techniques; one-third octave smoothed for correlation with human hearing.

Product improvement through research and development is a continuous process at D.A.S. Audio. All specifications subject to change without notice.



**D.A.S. Audio S.A.**  
 C/ Iles Balears, 24  
 46988 Fuente del Jarro  
 Valencia - SPAIN  
 Tel. 961 340 525 - Tel. Intl. +34 961 340 860  
 Fax 961 340 607 - Fax Intl. +34 961 340 607

**D.A.S. Audio of America Inc.**  
 Sunset Palmetto Park - 6816 NW 77th Court  
 Miami, FL 33166 U.S.A.  
 Tel. 305 436 0521 - Fax. 305 436 0528  
 Toll Free: 1 888 DAS 4 USA

**D.A.S. Audio Asia Pte. Ltd.**  
 25 Kaki Bukit Crescent # 01-00/ 02-00  
 Kaki Bukit Technopark I - Singapore 416256  
 Co. Reg. No. 200704134E  
 Tel. +65 6742 0151 - Fax. +65 6742 0157

[www.dasaudio.com](http://www.dasaudio.com)