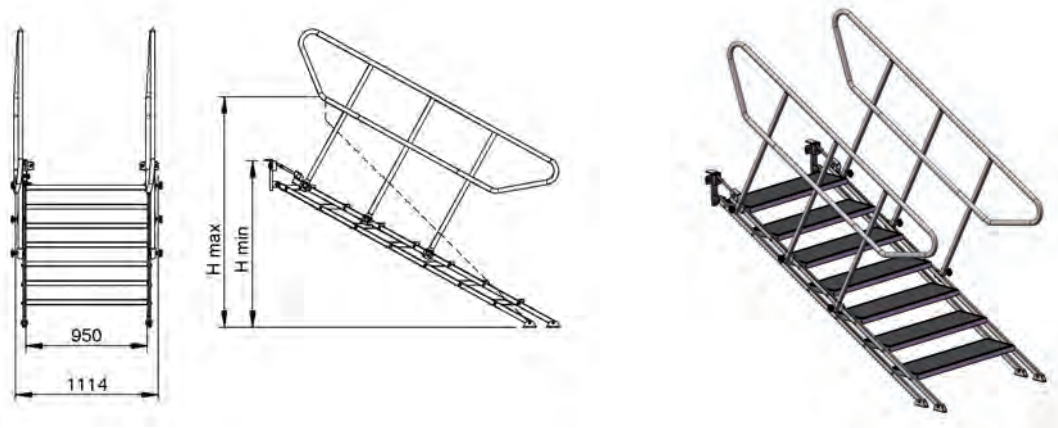


Stairs

Adjustable stairs ensure quick and smooth assembly. They are made of heavy-duty steel sections. The stairs steps are filled with anti-slip plywood.

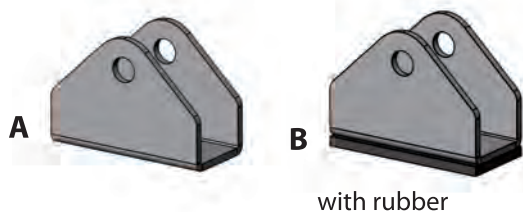
SPS-01 adjustable stairs



product code	H min (mm)	H max (mm)	dimensions (mm)	weight (kg)
SPS 01 / 7	1000	1800	2645	77
SPS 01 / 6	800	1400	2335	67
SPS 01 / 5	600	1000	2025	59

material	surface
aluminium	raw

aluminium adjustable stairs foot



product code	H min (mm)	H max (mm)	weight (kg)
ED-AS-SPS-04	400	600	16,3
ED-AS-SPS-06	600	1000	30
ED-AS-SPS-08	800	1400	37
ED-AS-SPS-10	1000	1800	51

material	surface
aluminium	raw



SM, Stairs

Modular stairs with all steps of the same height; available in 4 different heights. The stairs have adjustable feet which make it possible to place and level the stairs on uneven surfaces.



Attachment to the platform



Connecting stair steps



Handle rails



material construction welded from steel profiles

steps plywood 15mm

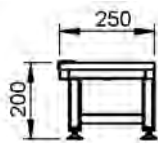
foot adjustment range of 20mm

name	product code	height	steps number	weight
STAIRS 1st PART 20cm 2nd PART 40cm	EDS-SM-04	400mm	2	20 kg
STAIRS 3rd PART 60cm	EDS-SM-06	600mm	3	12,3 kg
STAIRS 4th PART 80cm	EDS-SM-08	800mm	4	13,45 kg

SM, Stairs

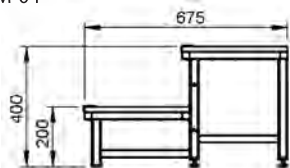
SM-02

code: SSS04.50



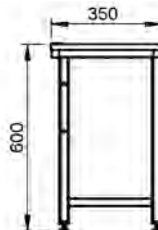
STAIRS 1st PART 20cm

code: EDS-SM-04



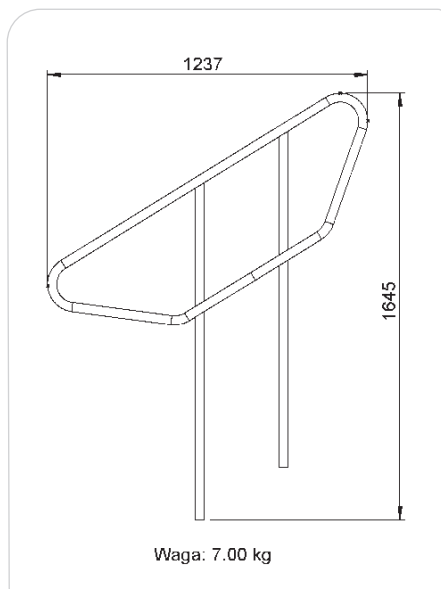
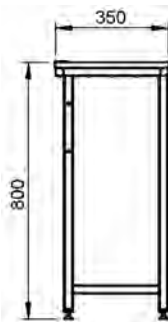
STAIRS 3rd PART 60cm

code: EDS-SM-06



STAIRS 4th PART 80cm

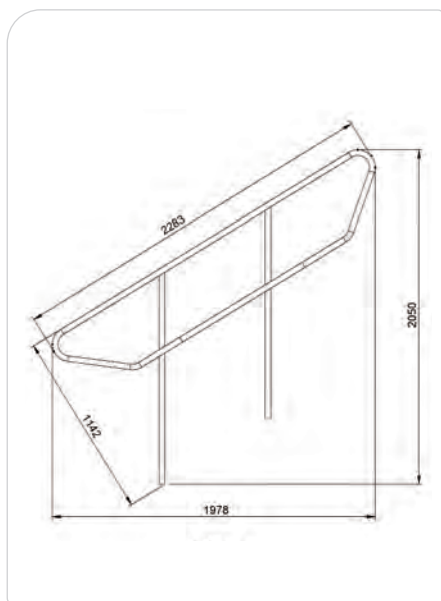
code: EDS-SM-08



Handrail for 3-step stairs

Product code **SBS-03**

material	tube Ø35mm x 1,5 steel
finish	galvanized, option - powder coating
weight	7kg



Handrail for 4-5-step stairs

Product code **EDS-SM-04**

material	tube Ø35mm x 1,5 steel
finish	galvanized, option - powder coating
weight	9kg

