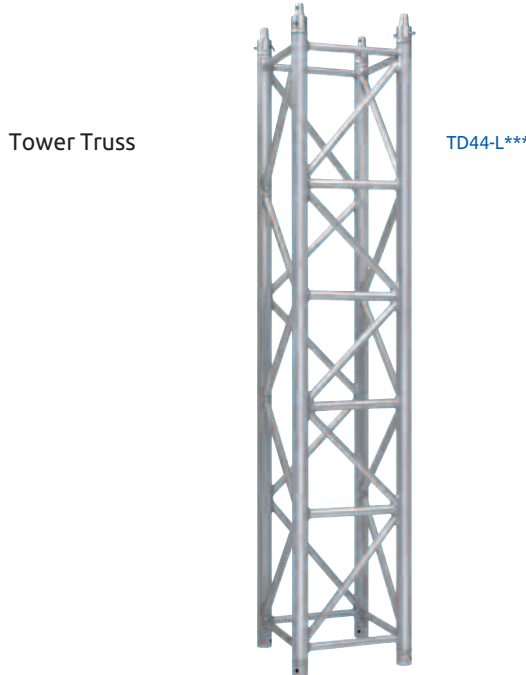




Top Section

TOP44-01



Tower Truss

TD44-L***



Hinge Set

CS1-HS L/R



Base:

BASE-02

OUTR-S02
Short Outrigger

STAB-02
Stabilizer

OUTR-L02
Long Outrigger

TD44 GS Tower – facts

Max. Height: 16m / 52,49ft

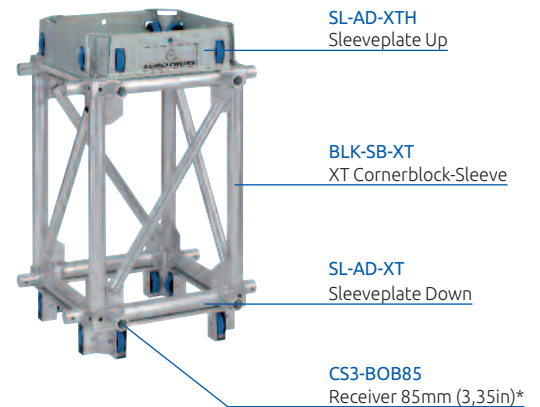
Max Loading: 2000kg (4409 lbs)

Tower Truss: TD44

Sleeve Block: TT, XT, FT100, HD44

Self Weight: 130kg (286,6lbs)

XT Sleeve Block



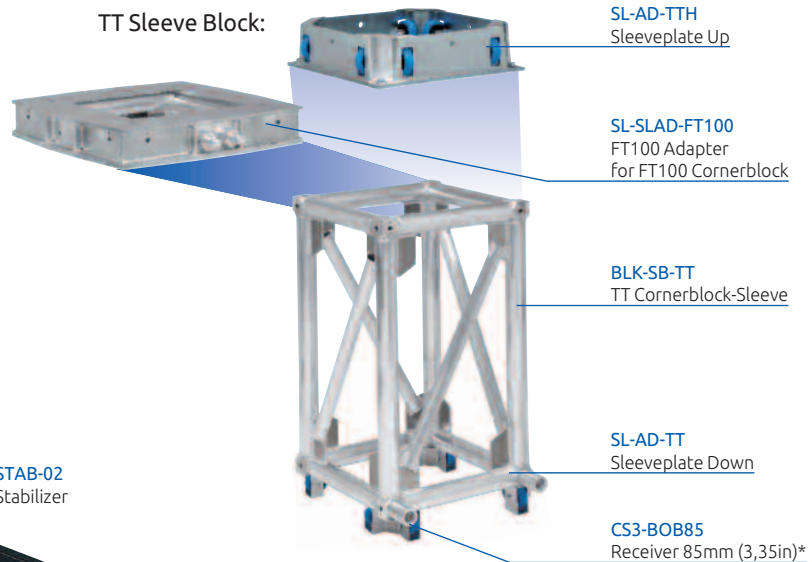
SL-AD-XTH
Sleeveplate Up

BLK-SB-XT
XT Cornerblock-Sleeve

SL-AD-XT
Sleeveplate Down

CS3-BOB85
Receiver 85mm (3,35in)*

TT Sleeve Block:



SL-AD-TTH
Sleeveplate Up

SL-SLAD-FT100
FT100 Adapter
for FT100 Cornerblock

BLK-SB-TT
TT Cornerblock-Sleeve

SL-AD-TT
Sleeveplate Down

CS3-BOB85
Receiver 85mm (3,35in)*

Sleeve Block:

Standard sized XT and TT corner blocks with usage of 2 bolted sleeve plates guarantees a perfect geometric rig.

These blocks make it possible to fit the TT/XT/FT100 Truss to all four sides by using bolted receivers.

The upper sleeve plate is equipped with an integrated hanging point.

The standard HD/FD44 sleeve blocks have predestined welded receivers on 3 sides.

Base:

Steel Base on wheels available with short outriggers and long outriggers in combination with stabilizer bars.