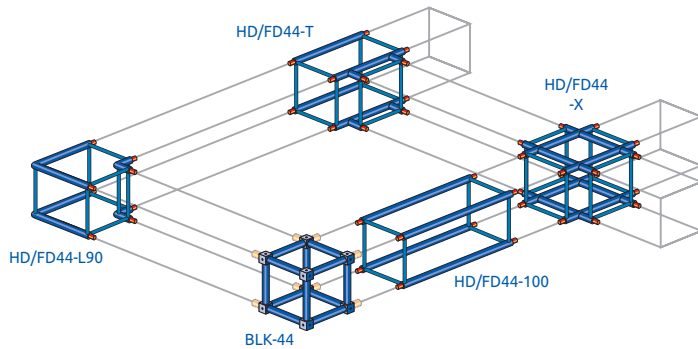


HD44 / FD44 Square Truss

Universal Corner Block for various shapes

One level construction



HD44 / FD44 Construction

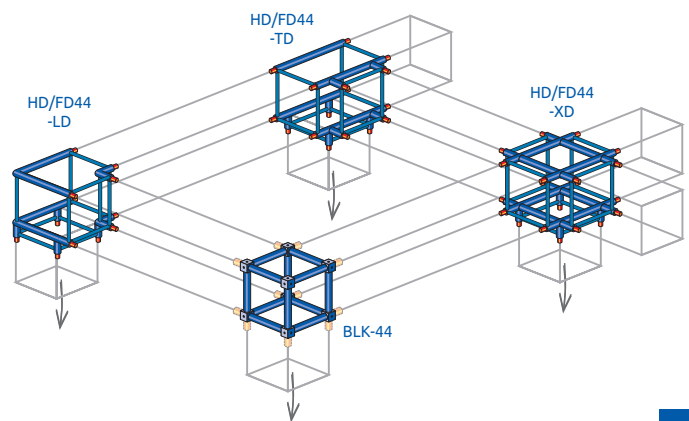
These elements allow constructions in up to two levels, thus permitting almost limitless possibilities for the realization of creative ideas.

To avoid various corner problems or increasing strength in the corner parts, the universal corner block with bold on receivers of 100mm (3,94in) is the answer.

Measurement Corners for HD44 / FD44

Cornercode	Size in cm	Size in feet
HD/FD44-L45	150 x 150	4,92 x 4,92
HD/FD44-L60	100 x 100	3,28 x 3,28
HD/FD44-L90	50 x 50	1,64 x 1,64
HD/FD44-L120	50 x 50	1,64 x 1,64
HD/FD44-L135	50 x 50	1,64 x 1,64
HD/FD44-T	60 x 50	1,97 x 1,64
HD/FD44-X	60 x 60	1,97 x 1,97
HD/FD44-LD	50 x 50	1,64 x 1,64
HD/FD44-TD	60 x 50 x 50	1,97 x 1,64 x 1,64
HD/FD44-XD	60 x 60 x 50	1,97 x 1,97 x 1,64
HD/FD44-XUD	60 x 60 x 60	1,97 x 1,97 x 1,97
BLK-44	90° in 6 dir.	
CS1-BOB100	100mm*	3,94in*
SC-4X	0-180°, Swivelcorner	
SB-4X	0-180°, Swivelbase	
BC-4X	0-180°, Bookcorner	

Two level construction



Loadcases FD44

Unit		EU		US		EU		US		EU		US		EU		US	
		m	l ft	5	16,40	6	19,68	8	26,24	10	32,8	12	39,36	14	45,92	16	52,48
CPL	kg lbs	1190	2618	990	2178	730	1606	570	1254	470	1034	390	858	330	726		
Deflection	mm inch	12	0,48	17	0,68	31	1,24	49	1,96	72	2,88	99	3,96	132	5,28		
UDL:	kg/mtr lbs/ft	470	316	330	222	183	123	115	77	78	52	56	38	42	28		
Deflection	mm inch	15	0,60	21	0,84	38	1,52	60	2,4	87	3,48	120	4,8	161	6,44		

*4 pcs.required for one attachment