

HD42 / FD42 Ladder Truss

Ladder truss for medium loads

Ladder truss for vertical rigs

HD42 / FD42 LADDER TRUSS

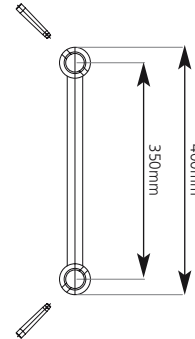
HD42/FD42 guarantees optimum load bearing capacity up to spans of 8m.

HD42/ FD42 straight elements lend themselves to use as span exposed to bending stress, cantilevered up to 4m or supported up to 8m.

Combined with HD44 / FD44 they possess a broad range of applications. The HD42 / FD42 is suitable for hanging rigs vertically.

Made with the fast connection system and approved according to the DIN 4113 specifications by the TUV.

Dimensions HD42 / FD42



HD42 TRUSS

FACTS

- Increased wall thickness of 3mm for 50mm main tubes
- Increased loading compared to FD42 (up to 50%)
- Compatible with HD44

FD42 TRUSS

FACTS

- Tolerance free conical connector
- Wall thickness of 2mm for 50mm main tubes
- Compatible with FD44
- Also available in any non-standard length and shape
- TuV approved



HD/FD44

HD/FD43

HD/FD42

HD/FD34

HD/FD33

HD/FD32

Measurements:	HD42	FD42	Loadcases HD42	unsupported:			...every 1,1m supported:				
Main tube:	50x 3mm	50x 2mm	Length (m)	2	3	4	4	5	6	7	8
Braces:	25x 2mm	25x 2mm	CPL in kg	523	151	60	772	614	510	435	378
Material:	EN AW-6082 T6		Deflection (mm)	1	1	1	7	13	18	24	32
Connection:	CS1-CON		UDL in kg/m	523	101	30	368	246	170	124	95
Weight:	~4,5 kg/m	~3,5 kg/m	Deflection (mm)	1	1	1	9	15	22	29	39

HD42 / FD42 Ladder truss

Ladder truss for medium loads

HD42 / FD42 CORNER

The HD42 / FD42 series allow a wide variety of structural shapes in one level by using corners, cross-pieces and tees.

Optically and statically adapted to fit the straight elements.

Other than HD32 / FD32 System the HD42 / FD42 System is only suitable for using vertically.

Complementary accessories and the article codes of the HD42 System can be found at the page 163. For FD42 System see page 165.

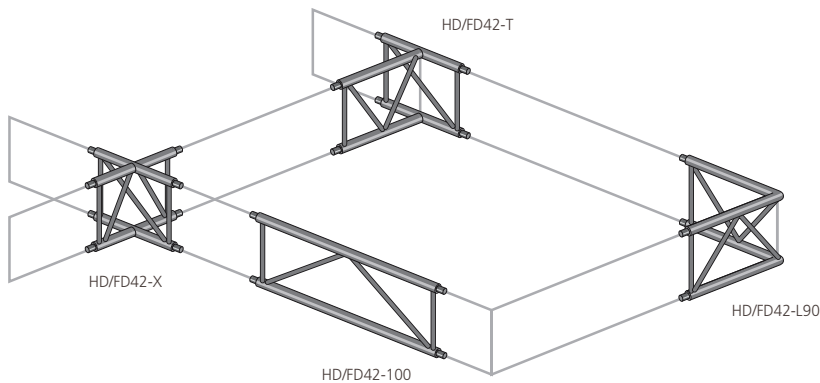
Measurement Corners for HD42 / FD42

Cornercode	Size in cm
HD/FD42-L45/V	50 x 50 – Vertical
HD/FD42-L60/V	50 x 50 – Vertical
HD/FD42-L90/V	50 x 50 – Vertical
HD/FD42-L120/V	50 x 50 – Vertical
HD/FD42-L135/V	50 x 50 – Vertical
HD/FD42-TV	50 x 50 – Vertical
HD/FD42-XV	50 x 50 – Vertical
BLK-42	90° in 4 dir.*
CS1-BOB105	105mm
CS1-BOB210	210mm



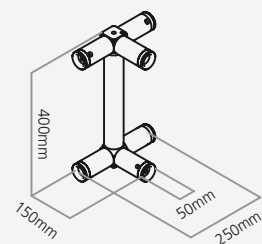
BLK-42

Vertical construction on one level



Loadcases FD42

Length (m)	unsupported:			...every 1,1m supported:				
	2	3	4	4	5	6	7	8
CPL in kg	498	144	57	735	585	486	414	360
Deflection (mm)	1	1	1	7	12	17	23	30
UDL in kg/m	498	96	29	368	234	162	118	90
Deflection (mm)	1	1	1	9	14	21	28	37



*2 pcs. required for one attachment

HD/FD44

HD/FD43

HD/FD42

HD/FD34

HD/FD33

HD/FD32