



# Kayman KY102

3D ine-array element,  
variable beam speaker

## FEATURES

- Unique performance-to-size ratio
- Vertical, Horizontal and 3D line-array applications
- Multiple 4" long-excursion full-range cone drivers
- Wide horizontal coverage
- Electronically protected
- Selectable 8 Ohm or 32 Ohm impedance
- Selectable vertical pattern (Spot - Flood)
- Weather proof, suitable for outdoor installations- IP54

## APPLICATIONS

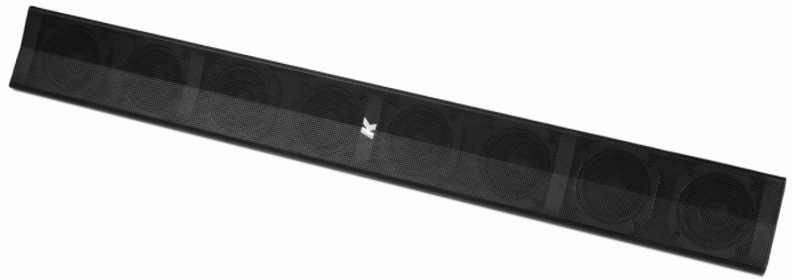
- Theatre, Club, House of Worship
- Front fill and under-balcony fill
- Portable and installed AV systems
- Stage and AV studio monitoring

## ACCESSORIES

K-BASE2, K-FLY2, KY-CLUSTER2, K-FOOT2,  
K-JOINT2, KY-STAGE, K-WALL2, K-KCLAMP/S,  
K-KCLAMP

## COLORS AVAILABLE

BLACK  WHITE 



The K-array KY102 is a passive speaker system comprised of eight 4" neodymium magnet transducers housed in an elegant and sturdy stainless steel chassis. The vertical dispersion pattern can be switched for wide or narrow coverage, allowing for a great variety of applications. The eight closely spaced cone drivers provide true line array characteristics - phase coherence, low distortion and focused listening in both the near field, and at a distance from the speaker. A variety of rigging accessories provides many linking and hanging options for the KY102 to be joint in vertical and horizontal line array configurations to satisfy many different venue requirements during temporary events and for permanent installations.

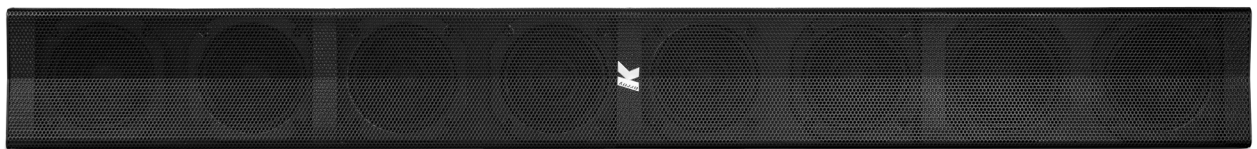
For easier use and integration with other speakers or amplifiers, the KY102 allows

the user to select two different values of impedance (8Ω - 32Ω).

The KY102 is able to reproduce the whole vocal frequency range with high intelligibility, starting from 90 Hz. Integrating one of K-array powered subwoofers (KMT18, KMT21, KMT218), configured with specific presets for the KY102 assures excellent coverage of the entire musical frequency range.

The K-array KA amplifier series have presets optimized for KY102 use.

All KY102 components are designed by the K-array R&D department and custom-made under the K-array quality control system.

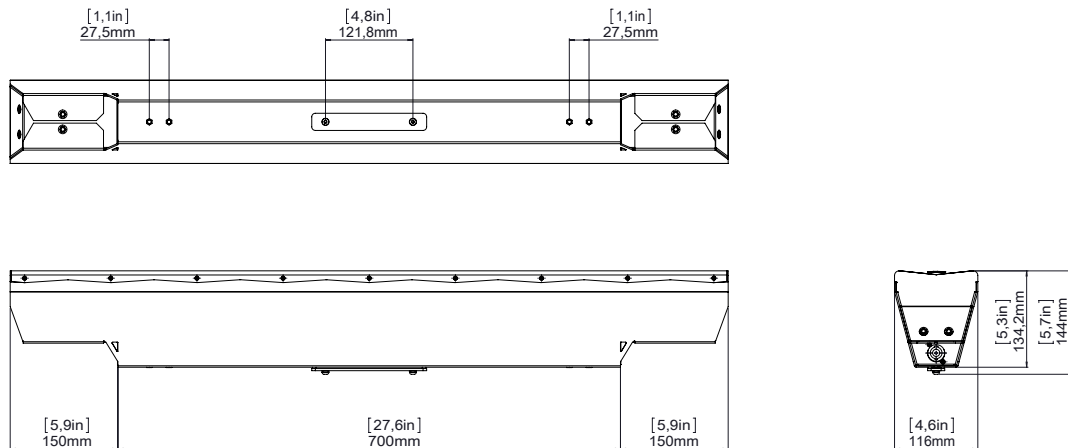


	<b>ACOUSTICS</b>		<b>TRANSDUCERS</b>
Power handling	1200 W	Full range	8 x 4" Neodymium magnet cone drivers with 1.5" voice coil
Max power	1800 W	Impedance	8 Ω / 32 Ω
Frequency range	90 Hz – 20 kHz (- 3dB) <sup>(1)</sup>	Coverage	Spot / Flood
Impedance	8 Ω / 32 Ω (selectable)	Connector	2 x 4-pin Speakon
SPL 1W/1mt	102 dB <sup>(2)</sup>	Wiring	1+ 1- (signal IN & LINK); 2+ 2- (through)
Maximum SPL	132 dB (cont.) – 138 dB (peak) <sup>(3)</sup>	Type	KA84, KMT
	<b>COVERAGE</b>	IP	54
Horizontal	90°	Dimensions	11.6 x 100.0 x 13.4 cm (4.6" x 39.4" x 5.3")
Vertical	7° / 30° (selectable)	Weight	14.9 kg (32.8 lbs)
	<b>CROSSOVER</b>		
Type	External Crossover required		
Frequency	High pass @ 90 Hz, 24 dB/oct suggested minimum		

Notes for data

1. With dedicated preset;
2. Measured @4 mt then scaled @1 mt;
3. Measured with musical signal

New materials and design are introduced into existing products without previous notice. Present systems may differ in some respects from those presented in this catalogue.



ARCHITECT SPECIFICATIONS

The mid-high passive speaker shall consist of eight 4" long-excursion full range cone drivers with a neodymium magnet assembly mounted in a 100 cm (39.4") array on a sturdy steel cabinet enclosure which shall be all weather resistant and durable and suitable for both outdoor and indoor applications. The speaker shall provide true line array characteristics - phase coherence, low distortion and focused listening in both the near field and at a distance from the speaker. It shall allow settings of two different impedance values, for a higher or lower impedance use (8Ω / 32Ω if possible). The loudspeaker shall only be operated by a compatible amplifier

with dedicated presets loaded onboard. The cones shall be protected only by a rigid metal grill and without any other backing material that could effect the quality and safety. The speaker shall be able to be integrated with other units of the same model and, when required, with a suitable subwoofer to extend its frequency range for more demanding applications. The connectors shall be recessed and fitted with two 4-pin Speakon connectors. The loudspeaker shall have a nominal horizontal dispersion angle of 110° and a vertical one of 7° in order to avoid unpleasant acoustic reflections from both the ceiling and the floor. The power handling capacity shall be

1200 W with a max power of 1800 W. The frequency response (+/- 3dB) measured on axis shall be 90 Hz to 20 kHz with a maximum sound pressure of 138 dB (peak). The speaker shall be as invisible as possible and shall be easily integrated in any kind of environments and surfaces. The dimensions (WxHxD) shall not exceed 11.6 x 100 x 13.45 mm (4.6" x 39.4" x 5.3") and shall weigh no more than 15 kg (33 lbs).

The loudspeaker shall be the KY102 by K-array srl.