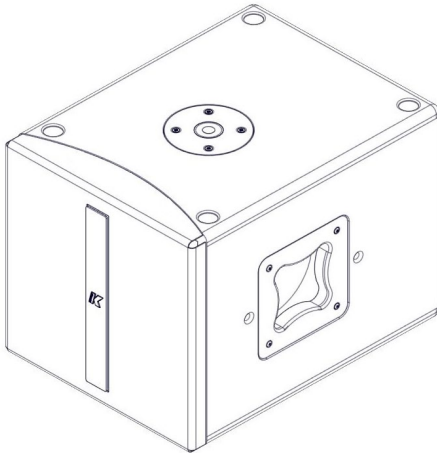


KMT12P

Ultra-light, high-power
passive 12" subwoofer



DATASHEET



Features

- Unique performance-to-size ratio
- High power 125 dB continuous - 131 dB peak
- Fitted with integral handles
- Direct radiating, long excursion 12" driver
- Ultra fast set-up and dismantling system

Applications

- Theatrical sound reinforcement
- Clubs, Houses of worship
- Portable and installed audio-visual systems
- Cinema surround sound and effects

The K-array KMT12P is a high performance passive subwoofer featuring a 12" neodymium magnet woofer with suspension engineered for maximum linear excursion.

The KMT series' unique four-corner port configuration provides symmetrical back loading to the speakers, for extended bass response with very low distortion. The port configuration also provides incredible structural strength to the cabinet, despite its light weight.

Secifications	
Acoustics	
Power handling	700 W ^(AES)
Impedance	8Ω
Frequency range	45 Hz - 150 Hz. +/- 3dB (Preset dependent)
Maximum SPL	125 dB continuous - 131 dB peak
Coverage	
Horizontal	Omni
Vertical	Omni
Crossover	
Type	External Crossover required
Frequency	Low pass @ 150 Hz maximum
Transducers	
Full range	1 x 12" Neodymium magnet with 3" voice coil
Power Audio Input	
Connectors	2 x NL4 Speakon
Wiring	1+ 1- (signal IN & LINK); 2+ 2- (through)
Physical	
Dimensions	32.6 x 32.7 x 43.3 cm (12.8" x 12.9" x 17.0")
Weight	12.6 kg (27.8 lbs)
<small>New materials and design are introduced into existing products without previous notice. Present systems may differ in some respects from those presented in this brochure</small>	

Pocket handles and an M20 thread mount position for attaching mid-high speakers makes it convenient to use and ideal for small throw applications in theaters, concert halls and Audio/Video installations.

All KMT components are designed by K-array and custom-made under K-array's quality control system.