



# KU210

Ultra thin, high power passive subwoofer

## FEATURES

- Unique performance-to-size ratio
- High power 127 dB SPL (peak)
- 10" long-excursion woofer
- 10" passive radiator
- Extended frequency response
- Double voice coil (8Ω+8Ω)
- Weather proof, suitable for outdoor installations - IP54

## APPLICATIONS

- To extend the low frequency range in small and medium rooms
- Theatres, Clubs, Churches
- Portable and installed AV systems

## COLORS AVAILABLE

BLACK



WHITE



## DESCRIPTION

With a frequency range of 30 Hz to 150 Hz and 127 dB SPL (peak), the KU210 is the perfect companion to any of the K-array Installed Sound Series speakers. The combination provides full range frequency response with prodigious output and a virtually invisible profile.

It is comprised of a 10" neodymium transducer, combined with a 10" passive transducer, instead of reflex, which ensures that the device remains completely sealed. The unit is engineered for maximum linear excursion and minimum residual noise. Its neodymium transducer has a double coil to allow for selectable impedance (4Ω/16Ω).

KU210 is made entirely of steel, making it extremely resistant, even when deployed outside in tough weather conditions. This makes it ideal for marine environments where ordinary bass speakers would corrode. As the chassis is completely sealed, it cannot be penetrated by foreign objects such as dust, sand or water, which over time can ruin a speaker. KA series amplifiers have presets specifically optimized for KU210 applications.

All KU210 components are designed by the K-array R&D department and custom made under the K-array quality control system.

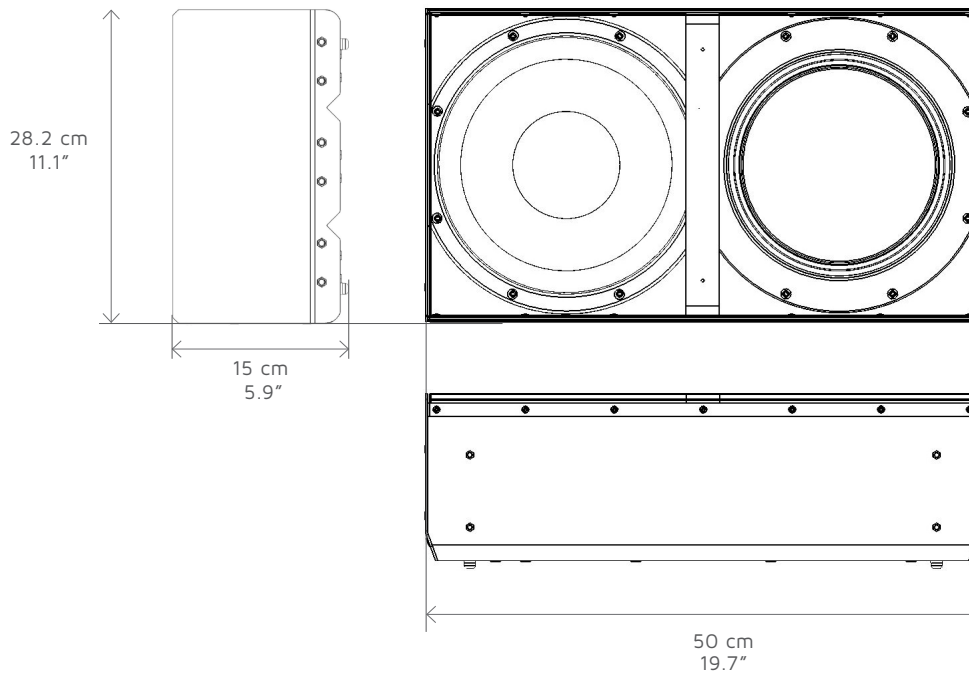


	<b>ACOUSTICS</b>		<b>TRANSDUCERS</b>
Power handling	2 x 160 W	Type	1 x 10" Neodymium magnet with 2" voice coil
Impedance	4 / 16 Ω selectable (2 x 8 Ω)	Type	1 x 10" passive transducer
Frequency range (-10 dB)	40 Hz – 150 Hz <sup>(1)</sup>	<b>POWER AUDIO IN/OUT</b>	
SPL 1W/1mt	94 dB <sup>(2)</sup>	Connectors	1 x 4-pin phoenix connector
Maximum SPL	121 dB (cont.) – 127 dB (peak) <sup>(3)</sup>	<b>RECOMMENDED AMPLIFIERS</b>	
<b>COVERAGE</b>		Type	KA24, KA84
Horizontal	omni	<b>CERTIFICATION</b>	
Vertical	omni	IP	54
<b>CROSSOVER</b>		<b>PHYSICAL</b>	
Type	External crossover required	Dimensions	50.0 cm x 28.2 cm x 15.0 cm (19.7" x 11.1" x 5.9")
Frequency	Low pass @ 150 Hz suggested	Weight	11 Kg (24.25 lb)

Notes for data

1. With dedicated preset;
2. Measured @4 mt then scaled @1 mt;
3. Measured with musical signal

New materials and design are introduced into existing products without previous notice. Present systems may differ in some respects from those presented in this catalogue.



ARCHITECT SPECIFICATIONS

The passive subwoofer shall feature one of the best performance-to-size ratio and shall be capable to reproduce an SPL peak of 127 dB. It shall consist of a 10" long-excursion woofer and a 10" passive radiator mounted in a 50 cm x 28.2 cm x 15 cm sturdy steel box which shall be all weather resistant and durable and suitable for both outdoor and indoor applications.

The speaker shall allow settings of two different impedance values, for a higher or lower impedance use (4Ω / 16Ω if possible).

The loudspeaker shall only be operated by a compatible amplifier with dedicated presets loaded onboard.

The cones shall be protected only by a rigid metal grill and without any other backing material that could effect the quality and safety. The connectors shall be hidden behind the speaker's chassis and fitted with one 4-pin phoenix socket.

The power handling capacity shall be 2 x 160 W AES with a frequency response from 40 Hz to 150 Hz.

The speaker shall be as invisible as possible and shall be easily integrated in any kind of environments and surfaces. The dimensions (WxHxD) shall not exceed 50cm x 28.2cm x 15cm (19.68" x 11.1" x 5.9") and it shall weigh not more than 11 Kg (24.25 lbs).

The loudspeaker shall be the KU210 by K-array surl.