

Product Specification Sheet

Arena PC



A 2.0kW / 2.5kW luminaire using a 200mm PC lens.

The beam has greater clarity with less spill than that of a Fresnel.

The Arena PC offers superior light output, strength and performance.

Features

Well controlled 'punchy' PC beam with little spill.

Wide range of beam angle from 4.5° to 60°.

Adjustable yoke balance point.

'Swing-down' door for easy access to lamp or cleaning. Isolates the mains supply when opened.

Choice of GY16 lamp socket for CP72, 2.0kW lamp or G22 lamp socket for CP91 2.5kW or CP92, 2.0kW lamp.

Smooth focus movement by 'posi-slide' focus system. No metal to metal contact.

Constructed of pressure die-castings and aluminium extrusion.

Effective airflow maintains lower body temperature.

Lamps: 220V-240V

GY16 lamp socket / 2000W

CP72

50,000 lumens 400 hours average life

G22 lamp socket / 2500W

CP91

65,000 lumens 400 hours average life

G22 lamp socket / 2000W

CP92

50,000 lumens 400 hours average life

Order Codes

10SPC20GY16

Arena PC - GY16

10SPC25G22

Arena PC - G22

20BDSF2020

Barndoor

20SM20

Lens safety mesh

20HC

Suspension hookclamp

20SC

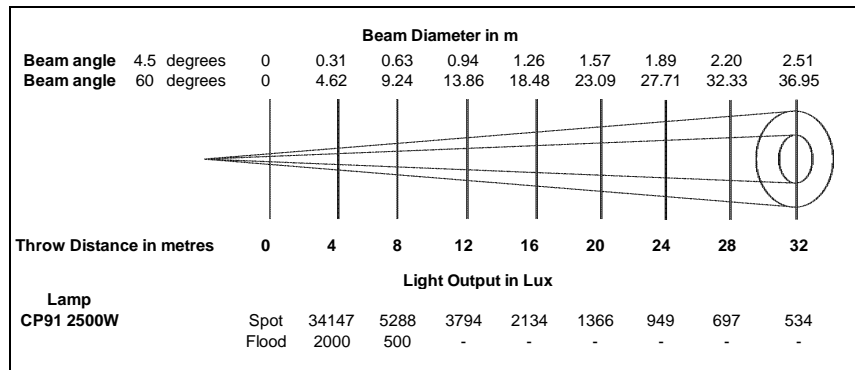
Safety bond

Approvals

Fully tested and compliant to CE standards.

Photometric Data

Tests conducted using a standard CP91, 2500W, 240V, 65,600 lumens lamp.



Physical Data

Weight: 10.2kg

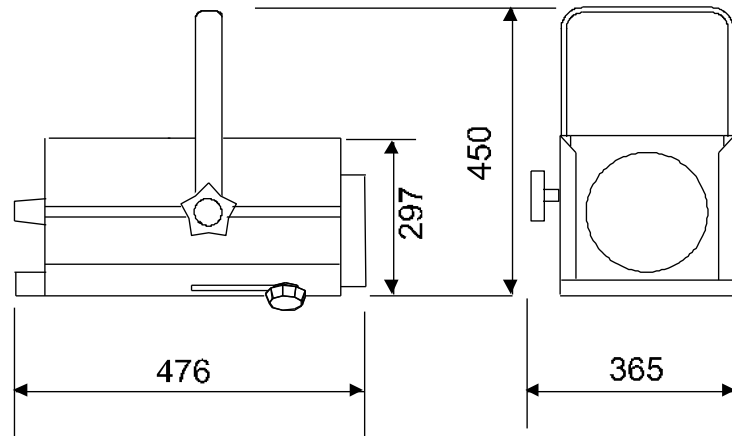
Packed Weight: 11.4kg

Carton Size: 310 x 375 x 630

Carton Size Cubic: 0.073

Colour Frame Size: 245mm x 245mm

Included: 1x colour frame, 1x M12 nut and bolt set and instruction leaflet.



Philips Selecon reserves the right to change the specifications without notice (October 2011).

PHILIPS
Selecon