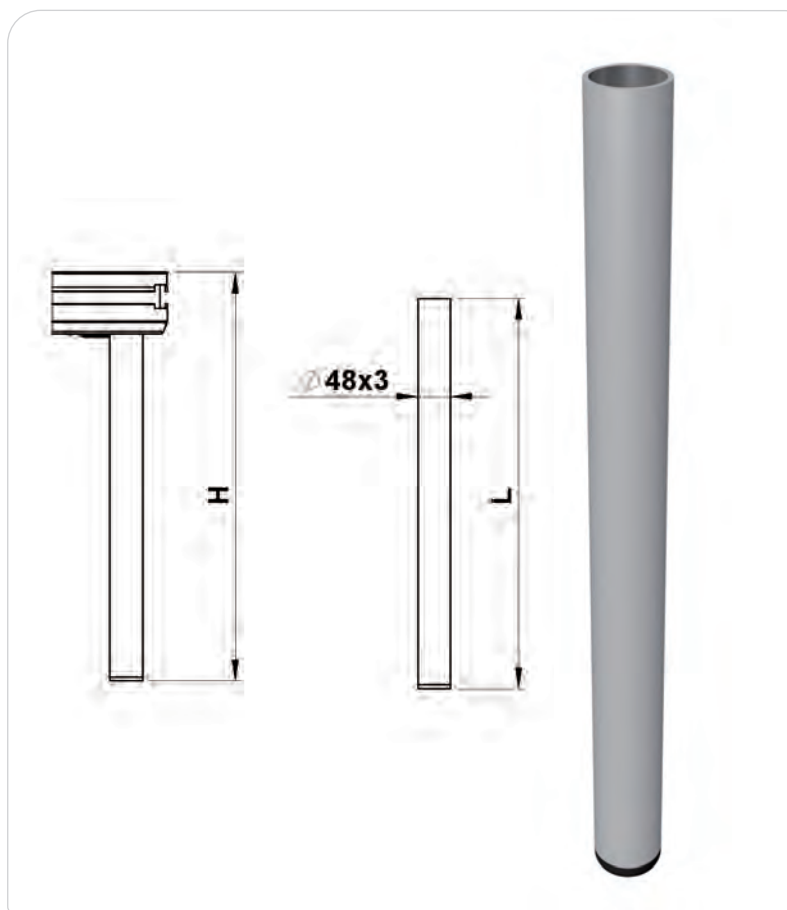




Legs

Standard Round Legs 48,3x3mm

The ordered leg height determinates the height of the platforms (H).

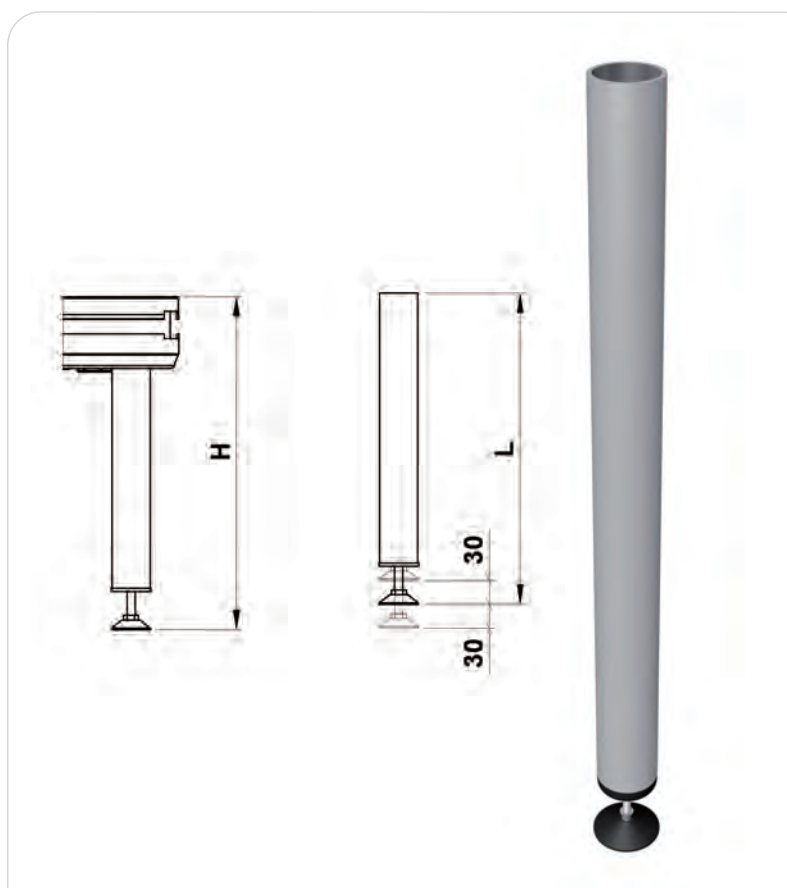


Examples of set legs height

code	H (mm)	weight
ED-SLR-02	200	0,240kg
ED-SLR-03	300	0,354kg
ED-SLR-04	400	0,469kg
ED-SLR-05	500	0,583kg
ED-SLR-06	600	0,698kg
ED-SLR-07	700	0,812kg
ED-SLR-08	800	0,927kg
ED-SLR-09	900	1,041kg
ED-SLR-10	1000	1,150kg

Adjustable Round Legs 48,3x3mm

Telescopic legs enable seamless height adjustment from H min to H max.



Height adjustment of telescopic legs

code	H (mm)	weight
ED-SLR-ADJ-02	200	0,265kg
ED-SLR-ADJ-03	300	0,379kg
ED-SLR-ADJ-04	400	0,494kg
ED-SLR-ADJ-05	500	0,608kg
ED-SLR-ADJ-06	600	0,723kg
ED-SLR-ADJ-07	700	0,834kg
ED-SLR-ADJ-08	800	0,952kg
ED-SLR-ADJ-09	900	1,066kg
ED-SLR-ADJ-10	1000	1,181kg