

# Product Specification Sheet

## Selecon Display LED Profile



**The Selecon Display LED Profile delivers accurate shaping of the beam and precise pattern / logo projection.**

A sophisticated lighting instrument of timeless appearance.

The Display LED Profile delivers on Selecon's brand promise for performance (efficient optical system; high quality pattern projections); precision (accurate beam shaping; locking focus adjustments) and simplicity (intuitive operation).

Allen key lock offs and reference scales for all adjustments offers the means to effectively assure the integrity of the original lighting design.

### Colours



White - PANTONE® 11-4800 - Blanc de Blanc.

### Features

High light output for a LED luminaire of this size.

Condenser optics provide a very flat beam distribution ideal for pattern projection and precise illumination.

Engineered from precision aluminium pressure die-castings.

Two zoom optical systems: 16°–35° and 30°–55°.

All adjustable parameters are lockable using allen key tool, including:

- Pan and tilt
- Rotatable lens tube - +/- 45°
- Zoom lens adjustments

Reference scales for all adjustments.

Internal pattern holder with external image alignment.

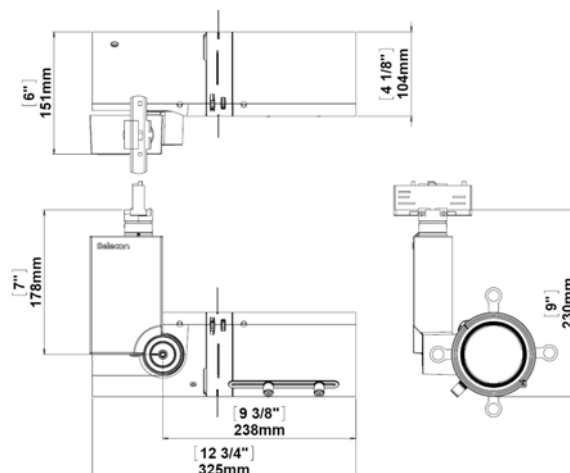
Shutters can be locked in position.

Two front accessory slots for 93mm diameter coloured and UV glass filters; plastic filter holder.

User made transparency film gobos can be used.

Comes with Philips Selecon's three year warranty.

### Physical Data



### Mounting Options

Universal track three circuit track adapter.

Ceiling mount plate, ridged 80mm diameter x 20mm deep.

Half Coupler with 1.0m cable tail.



### Control Options

Local Dimming - non dimmed mains supply.

Dali Dimming – non dimmed mains supply.

**Wattage / Power Supply**  
40W / 220 – 240V

**Colour Temperature / Life**  
3000K / 35,000hrs

**CRI / Colour Consistency**  
>90 minimum, typical 96 / Within 3-Step MacAdam Ellipse

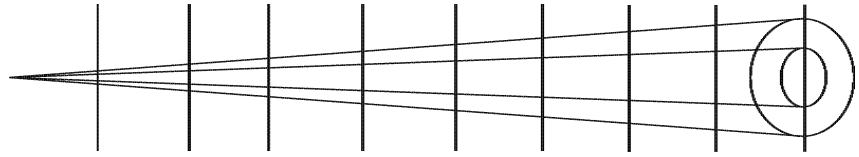
### Approvals

CE and C-Tick.

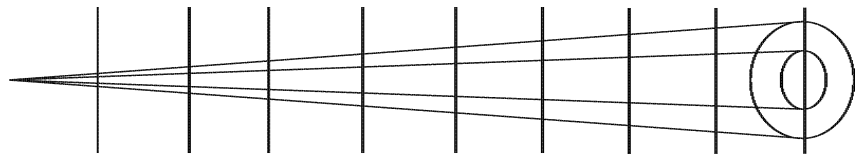
---

**Performance Data**

---

**SDP 16°-35° model:**

METRES	3	4	5	6	7	8	9	10
	<b>Central illumination in Lux</b>							
at 16°	1390	782	500	348	255	195	154	125
at 26°	737	415	265	184	135	104	82	66
at 35°	458	258	165	115	84	64	51	41

**SDP 30°-55° model:**

METRES	3	4	5	6	7	8	9	10
	<b>Central illumination in Lux</b>							
at 30°	520	293	187	130	96	73	47	33
at 35°	414	233	149	104	76	58	37	26
at 55°	204	115	73	51	37	29	18	13

---

## Order Codes

---

SDP1635LEDLDT01	White 16°-35° LED Display Profile: Local Dimming only- track mount.
SDP1635LEDLDC01	White 16°-35° LED Display Profile: Local Dimming only-ceiling rose mount.
SDP1635LEDLDH01	White 16°-35° LED Display Profile: Local Dimming only- fitted with half coupler accessory, safety bond, 1.0m cable.
SDP1635LEDLDH01P	White 16°-35° LED Display Profile: Local Dimming only- fitted with half coupler accessory, safety bond, 1.0m cable.and ANZ plug.
SDP1635LEDLDT03	Black 16°-35° LED Display Profile: Local Dimming only- track mount.
SDP1635LEDLDC03	Black 16°-35° LED Display Profile: Local Dimming only-ceiling rose mount.
SDP1635LEDLDH03	Black 16°-35° LED Display Profile: Local Dimming only- fitted with half coupler accessory, safety bond, 1.0m cable.
SDP1635LEDLDH03P	Black 16°-35° LED Display Profile: Local Dimming only- fitted with half coupler accessory, safety bond, 1.0m cable.and ANZ plug.
SDP1635LEDDDT01	White 16°-35° LED Display Profile: DALI- track mount.
SDP1635LEDDDT03	Black 16°-35° LED Display Profile: DALI- track mount.
SDP3055LEDLDT01	White 30°-55° LED Display Profile: Local Dimming only- track mount.
SDP3055LEDLDC01	White 30°-55° LED Display Profile: Local Dimming only-ceiling rose mount.
SDP3055LEDLDH01	White 30°-55° LED Display Profile: Local Dimming only- fitted with half coupler accessory, safety bond, 1.0m cable.
SDP3055LEDLDH01P	White 30°-55° LED Display Profile: Local Dimming only- fitted with half coupler accessory, safety bond, 1.0m cable.and ANZ plug.
SDP3055LEDLDT03	Black 30°-55° LED Display Profile: Local Dimming only- track mount.
SDP3055LEDLDC03	Black 30°-55° LED Display Profile: Local Dimming only-ceiling rose mount.
SDP3055LEDLDH03	Black 30°-55° LED Display Profile: Local Dimming only- fitted with half coupler accessory, safety bond, 1.0m cable.
SDP3055LEDLDH03P	Black 30°-55° LED Display Profile: Local Dimming only- fitted with half coupler accessory, safety bond, 1.0m cable.and ANZ plug.
SDP3055LEDDDT01	White 30°-55° LED Display Profile: DALI- track mount.
SDP3055LEDDDT03	Black 30°-55° LED Display Profile: DALI- track mount.

---

## Accessories

---

SDPCF	Colour frame for plastic filters.
SDPGOBOASSY	Spare pattern holder - complete two piece assembly.
SDPSDG	Medium diffusion glass.
ARLAKTOOL	Allen key hand tool for Selecon display luminaires.

Pattern size: E  
Outside diameter: 37.5cm  
Image area: 28mm

To achieve the best results with your pattern projection:

- always use black matt finish patterns as these reduce internal light reflections.
- for custom / text logos please ensure the design is inside the 28mm diameter area.

Philips Selecon reserves the right to change this product specification without notice (June 2013).