

# Rama 150 Fresnel 7°-50°

The Rama 150 Fresnel (1.0kW/1.2kW, 150mm lens) provides an adjustable cone of light that has a soft edge, easily blended with adjacent beams to provide even illumination.



## Features

- Integrated safety bond rated for the fitting; maximum free length = 670mm
- Adjustable yoke balance point
- Swing-down' door for easy access to lamp or cleaning. Disconnects the mains power supply on opening
- Smooth 'posi-slide' focus system, no metal to metal contact
- Constructed of aluminium extrusion and moulded engineering plastics
- Cooler operation due to use of engineering plastics on front (colour frame mount) and rear of luminaire
- Heat-insulated rear grab-handle which doubles as handy storage for the 1m cable length
- Tilt and focus scales are in degrees, allowing for accurate WSIYWYG implementation

**PHILIPS**  
**Selecon**

## SPECIFICATION SUBMITTAL

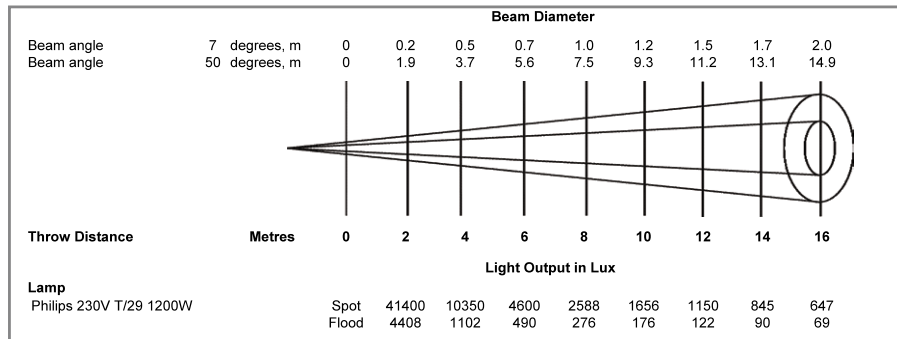
CONSULTANT <input type="text"/>	PROJECT NAME: <input type="text"/>	MODEL NUMBER   QUANTITY: <input type="text"/> <input type="text"/> <input type="text"/> <input type="text"/> <input type="text"/> <input type="text"/>
DATE: <input type="text"/>	PROJECT NUMBER: <input type="text"/>	APPROVED BY: <input type="text"/>

## Photometric Data

Tests conducted using a standard T29, 1200w, 230V lamp.

Peak candela at 7° - 165,600

Peak candela at 50° - 17,640



## Lamps: 220V-240V

**T/29 1200w** 27,600 lumens 480 hours average life

**CP90 1200w** 30,000 lumens 400 hours average life

**T/11 T/19 1000w** 21,500 lumens 900 hours average life

**CP70 1000w** 25,000 lumens 400 hours average life

**Approvals** Compliant to CE standards

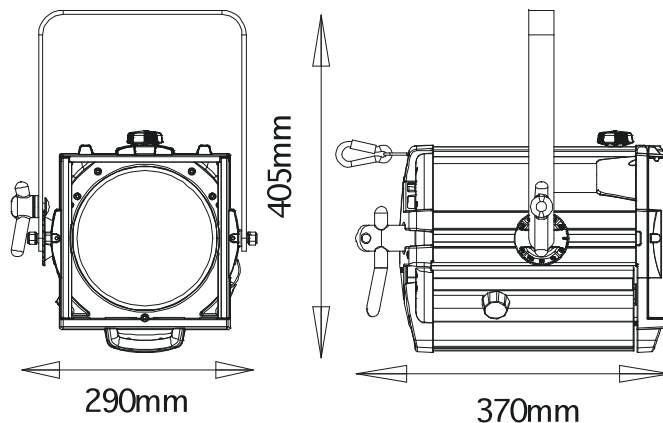
## Physical Data

**Weight:** 5.3kg

**Packed weight:** 6.2kg

**Colour frame size:** 186mm x 190mm

**Included:** 1x colour frame, yoke nut & bolt, instruction leaflet.



## Ordering Information

**Cat No Description**

**16RAFR150** Rama 150 Fresnel - GX9.5 lamp base

**16RAFR150G22** Rama 150 Fresnel - G22 lamp base

**20BDSF12**

Rama 4 way barndoor

**20SM6**

Rama lens safety mesh

## Philips Selecon

### Los Angeles

6603 Darin Way  
Cypress, CA 90630  
Tel: (714) 230-8200  
Fax: (714) 899-0042

### New York

267 5th Ave, 4th Floor  
New York, NY 10016  
Tel: (212) 213-8219  
Fax: (212) 532-2593

### Dallas

10911 Petal Street  
Dallas, TX 75238  
Tel: (214) 647-7880  
Fax: (214) 647-8030

### www.seleconlight.com

© Philips Group 2009  
All rights reserved.  
The Company reserves the right to make any variation in design or construction to the equipment described. E&OE

### Auckland

19-21 Kawana Street  
Northcote, Auckland 0627  
New Zealand  
Tel: + 64 9 481 0100  
Fax: + 64 9 481 0101

### Asia

Room 6-10,  
20/F Delta House  
3 On Yiu Street  
Shatin, N.T. Hong Kong  
Tel: + 852-2757-3033  
Fax: + 852-2757-1767

### Europe

European Service & Distribution Centre  
Marssteden 152  
Enschede 7547 TD  
The Netherlands  
Tel: +31-53-4500424  
Fax: +31-53-4500425

062409EU

**PHILIPS**  
**Selecon**