



ROD 136-W is a seamless 36x3 watts Warm White linear wash with a length of 915 millimeters. It has a built-in lamp body power supply and driver, and an integrated power and DMX signal cable. Flexible lighting device for application in a variety of building structures.

SOURCE Light source: 36x3 watts Warm White
LED life expectancy: 50,000 Hrs
Peak Intensity: 42302 cd (15°)

OPTICAL SYSTEM Optics: 15° (25°, 30°, 60°, 15°x30°, 60°x15°)
Light output: 11,000 Lux @2m @ 15°

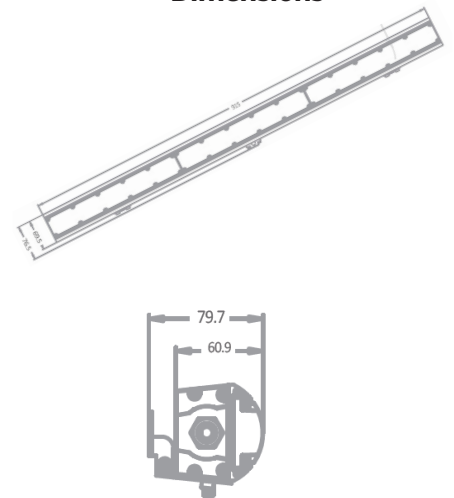
CONTROL & PROGRAMMING Control Protocols: DMX 512, RDM
DMX control channels: 0-100%
Dimmer: 0%-100% 16 Bit
Controllable sections: 1
Color: Warm White

ELECTRICAL Input Voltage: AC 100~277V
Max Power: 120 W
Power Factor: > 0.9
Built-in power supply

CONNECTIONS Power connections: Integrated power and signal cable

PHYSICAL Dimensions: 915x62x84mm
Net Weight: 3.6 kg
Color: Silver
Housing: Extruded Aluminum
IP Rating: 66
Operation temperature: - 40°C~45°C (operating) / - 20°C~45°C (startup)

Dimensions



Luminous Diagram

