

CYCLOPS LIGHTING



TITAN 472-RGBA is a 72x15 watts multi-chip RGBA, LED ctty wash. It has excellent color mixing effect, high color saturation, high light efficiency, high illumination, high performance and stability, it is realizable to achieve the perfect color interpretation and ultra-long light casting distance. Optional wireless DMX 512 control, it provides diverse lighting solutions for a variety of large outdoor lighting projects, an ideal lighting fixture for towers, bridges, large venues, integrated commercial building and other large occasions.

SOURCE Light source: 72x15 watts multi-chip RGBA
LED life expectancy: 50,000 Hrs
Peak Intensity: 467400cd (14°)

OPTICAL SYSTEM Optics: 14° , 25°
Light output: 4,000 Lux @ 10m @ 14°

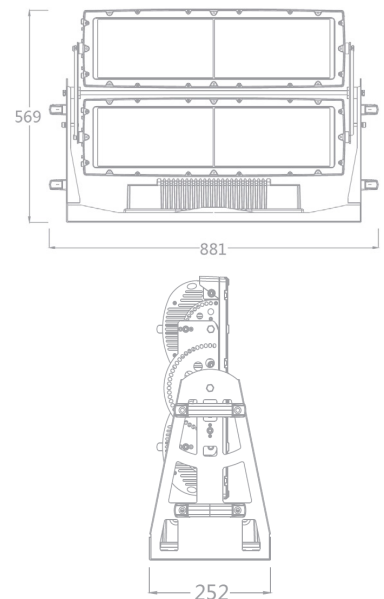
CONTROL & PROGRAMMING Control Protocols: DMX 512
DMX control channels: 0-100%
Controllable sections: 8
Dimmer: 0% -100%; 16 Bit
Color Mixing: RGBA

ELECTRICAL Input Voltage: AC100 - 277V
Max Power: 1 200 W
Power Factor: > 0.9

CONNECTIONS Power connection: 3m cable (input only)
Data connection: 3m cable (input + output)

PHYSICAL Dimensions: 881x252x569 mm
Net Weight: 46 kg
Color: Off - white (Gray, Black Optional)
Housing: Die-cast aluminum
Security: Anti-thunder shock protection design
IP Rating: 66
Operation temperature: - 40°C~45°C (operating) /
- 20°C~45°C (startup)

Dimensions



Luminous Diagram

