

VARI*LITE

VL800 EVENTWASH



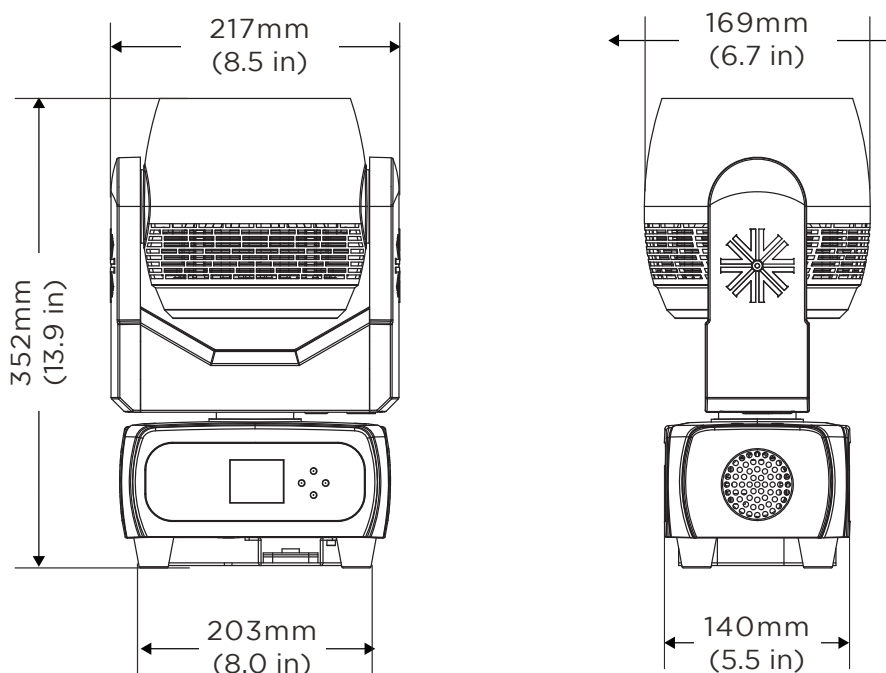
The VL800 EVENTWASH is mid-sized LED wash moving head fixture that is extremely compact and powerful. This fast-moving wash is built with the DNA of Vari-Lite, offering full RGBW color mixing and 7 individually controllable LEDs for easy split colors or pixel mapping applications. With controllable dimming and motorized zoom, this fixture moves and feels like a Vari-Lite, providing valuable features in a cost-effective mid-sized moving head.

VARI*LITE

VL800 EVENTWASH

FEATURES AND BENEFITS

- **Compact, high output LED event wash moving head built by Vari-Lite** - powerful mid-sized wash from a brand you trust.
- **Full RGBW color mixing** - variable color mixing with saturation control, offering numerous vivid and creative color options
- **Signature Vari-Lite smooth movement** - moves smoothly and cleanly like you expect from a Vari-Lite luminaire
- **Quiet-running motorized zoom** - remote beam angle control with zoom that's quiet when running
- **Smooth Vari-Lite dimming with selectable dimming curve** - match the dimming curve of the rest of your rig
- **Seven individually controllable LEDs** - numerous creative visual looks with pixel mapping capabilities
- **Adjustable frequency to exceed camera frame rates** - camera friendly fixtures for IMAG or live televised events



VL800 EVENTWASH

SOURCE		
Type	Osram 30W RGBW LED array	
Wattage	7 x 30W	
OPTICAL PERFORMANCE		
Output Lumens	3500 lm	
Output CRI	CRI(Ra) >90	
Output CCT	7300K (white color)	
	LUX	FOOT-CANDLES
Narrow @ 5m	4680	435
Wide @ 5m	280	26
Narrow @ 10m	1024	95
Wide @ 10m	84	7.8
BEAM		
Angle	6° - 40°	
Control	Motorized	
IMAGING		
Pixel control	7 pixel control	
COLOR SYSTEM		
Color mixing	RGBW	
CTO	Pre-set CTO 2700 - 10000K	
Fixed color	44 colors pre-set in DMX map	
MOVEMENT		
Max pan angle	540°	
Full pan speed	1.26s	
Continuous spin	No	
Max tilt angle	250°	
Full tilt speed	0.52s	
NOISE LEVELS (BASE LEVEL 18.6db)		
Full operation	45db	
Standby	23db	
Fan modes	Standard, studio, whisper	
USER INTERFACE		
Type	4-push button control	
POWER		
Range	100-240 VAC input at 50/60 Hz	
Connector type	Twist-Lock black/yellow - In / Thru	
Wattage (max)	230W	

VL800 EVENTWASH

DATA CONNECTIONS

DMX (RDM)		In and Thru 5-pin XLR
DMX modes	16-bit	1 cell = 22 channels (default)
		7 cell = 78 channels
	8-bit	1 cell = 17 channels
		7 cell = 41 channels

PHYSICALS

IP rating	IP20
Finish	Black

DIMENSIONS (H x W x L)

	mm	in
Fixture only	352 x 217 x 169	13.9 x 8.5 x 6.7
Packed dimensions	315 x 245 x 435	12.3 x 9.6 x 17.1
Hanging centers	247	9.72
Hanging type	1 x 107mm Omega clamps	

WEIGHT

	kg	lb
Fixture only	6.0	13.2
Packed weight	Net	6.4
	Gross	7.9

WARRANTY & APPROBATIONS

Warranty	2 years
Approval / listings	CE, ETL, UL, FCC CSA, RoHS, ISO 9001

PRODUCT NAME

VL800 EVENTWASH 7x 30w RGBW LED moving wash light, 6° to 40° motorized zoom, black case with power connector

ORDER CODE

912400575003

©2019 Signify Holding. All rights reserved.

All trademarks are owned by Signify Holding or their respective owners. The information provided herein is subject to change, without notice. Signify does not give any representation or warranty as to the accuracy or completeness of the information included herein and shall not be liable for any action in reliance thereon. The information presented in this document is not intended as any commercial offer and does not form part of any quotation or contract, unless otherwise agreed by Signify. Data subject to change.

Ref: 912400575003-100-v00