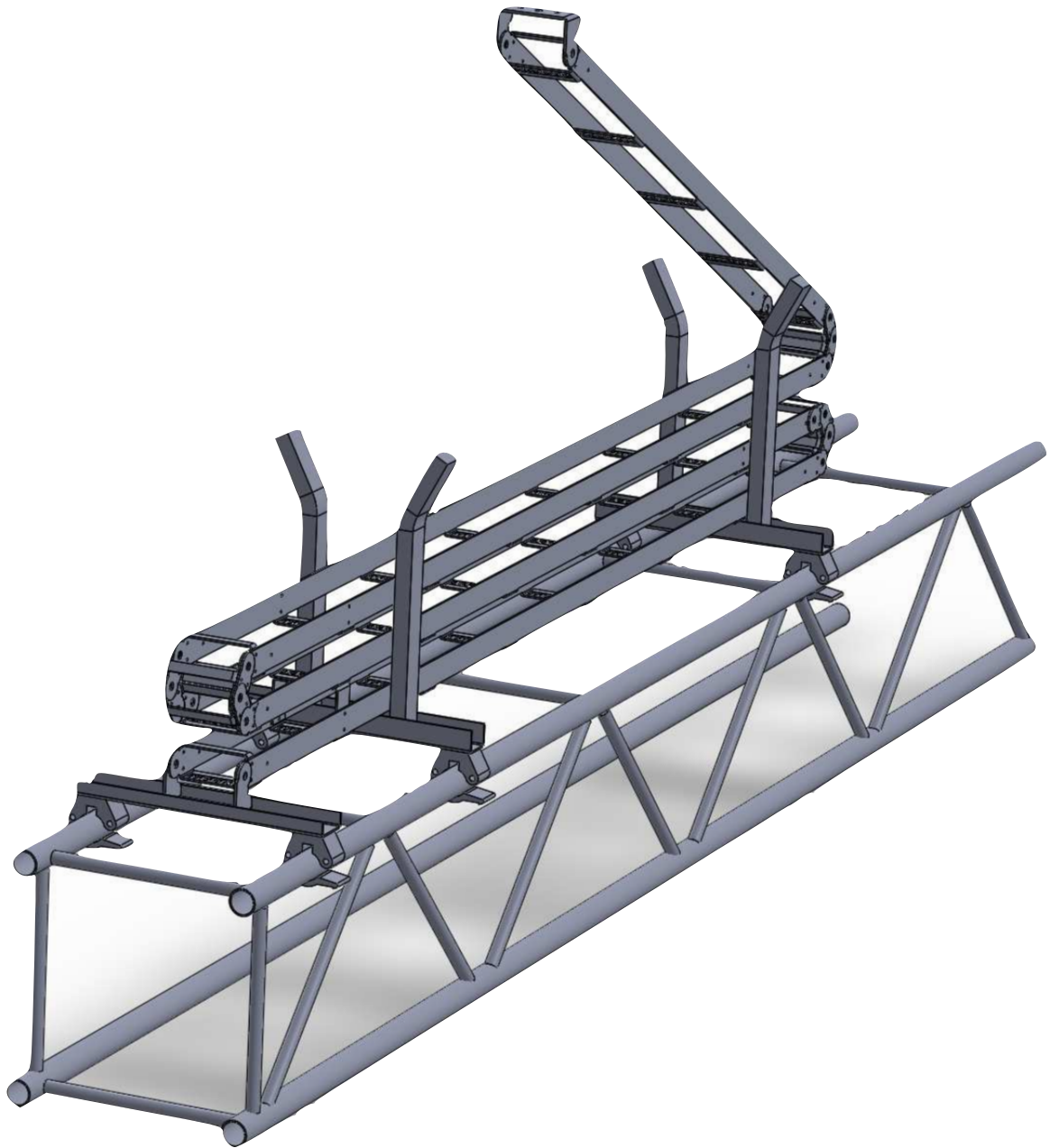


CABLE GUIDE CAB-10



2 & 3 Element lengths

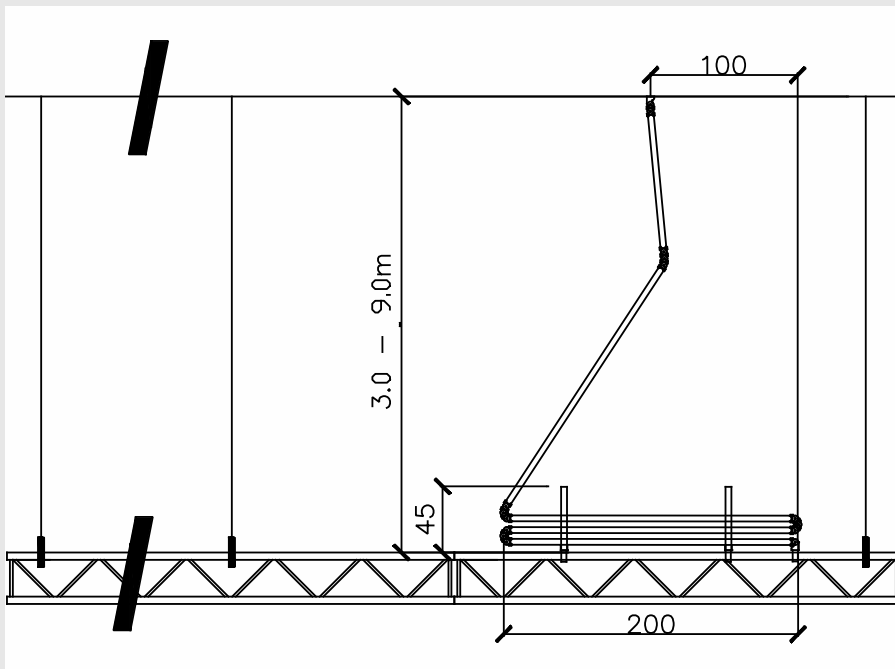
Multiple Truss & Flybar & Grid Catching Units

Large internal cross section

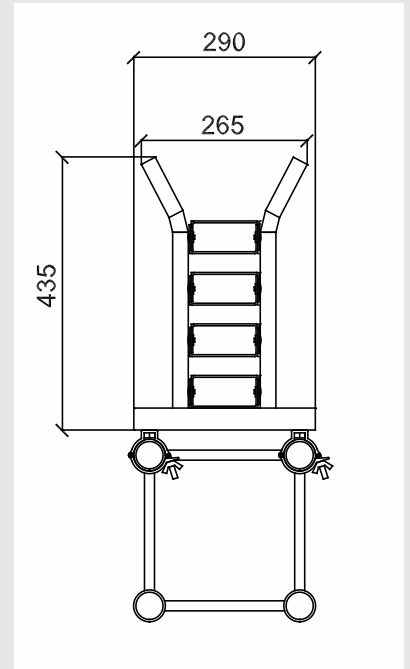
Black Powder coated steel structure

CABLE GUIDE CAB-10

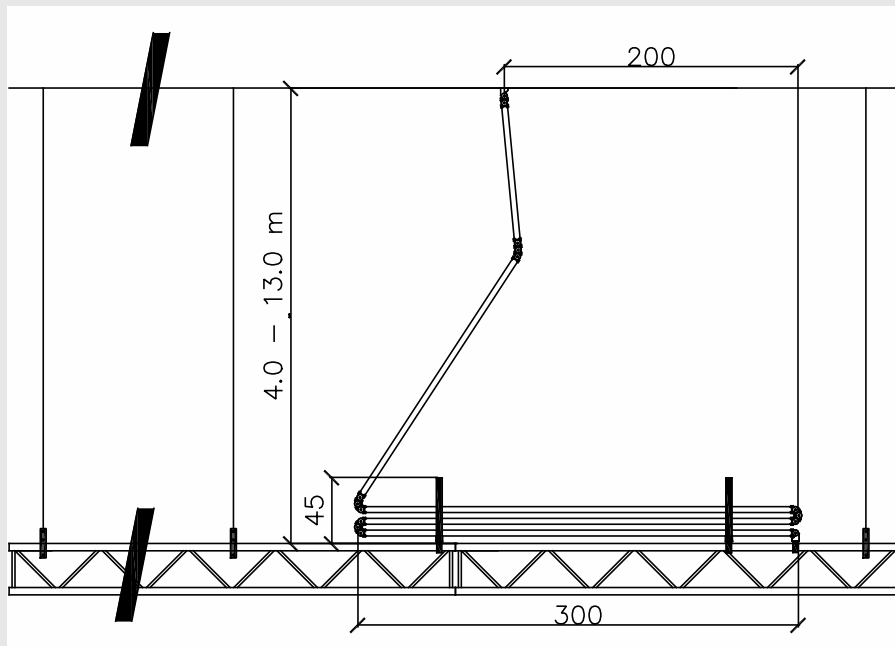
CAB-10 Two meter elements



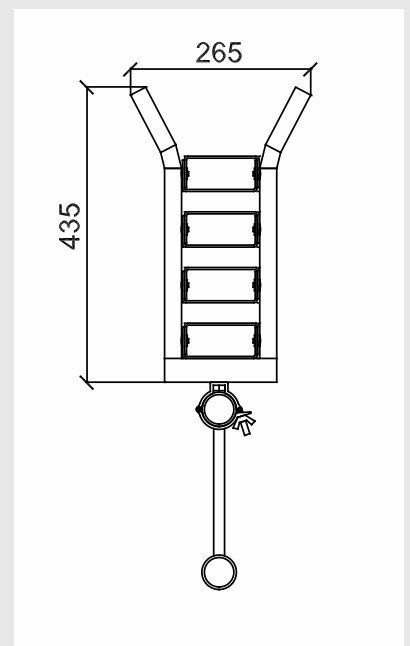
Truss attachment



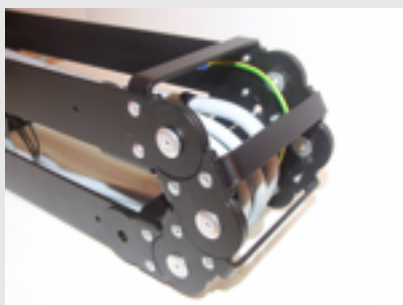
CAB-10 Three meter elements



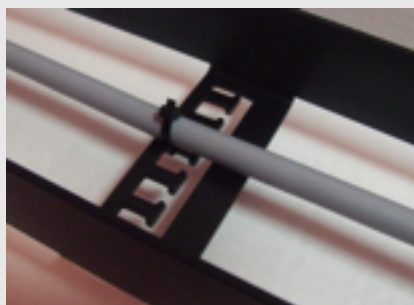
Fly bar attachment



Hinge element



Cable Tray



Internal cross section

