

1

2

3

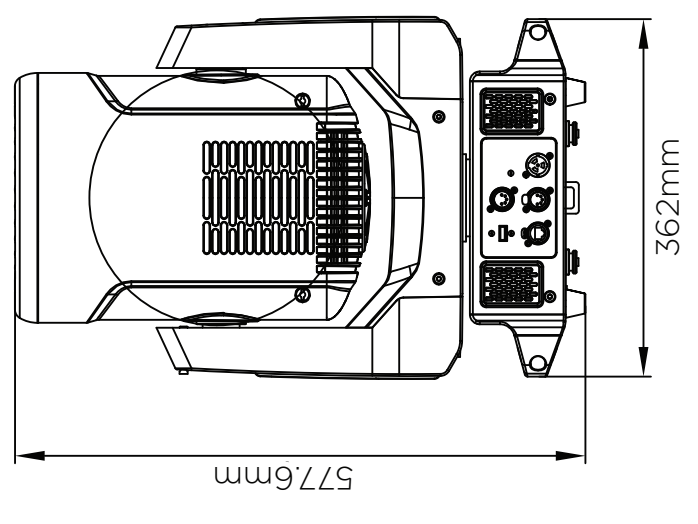
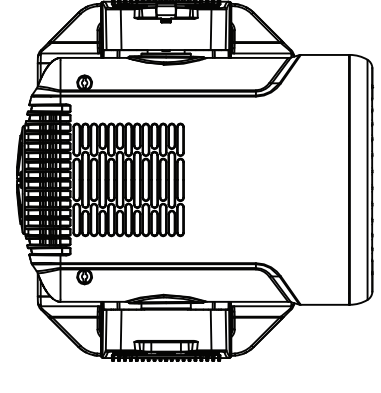
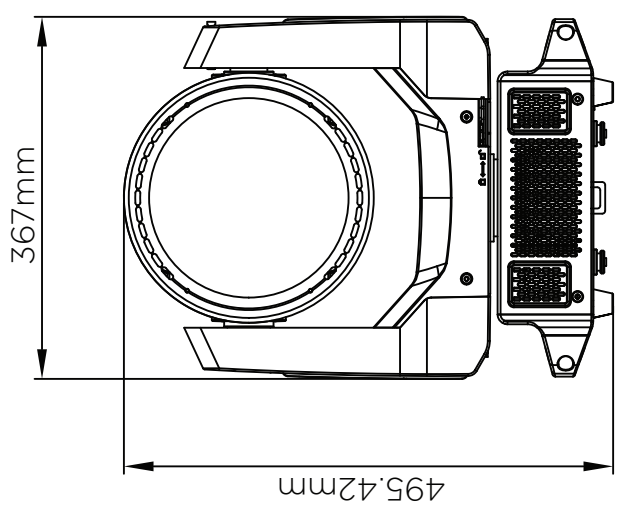
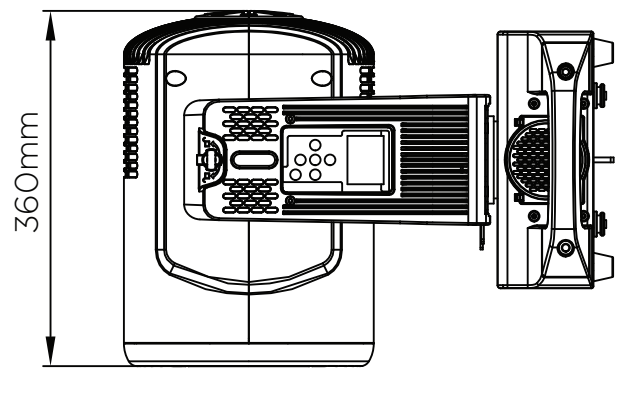
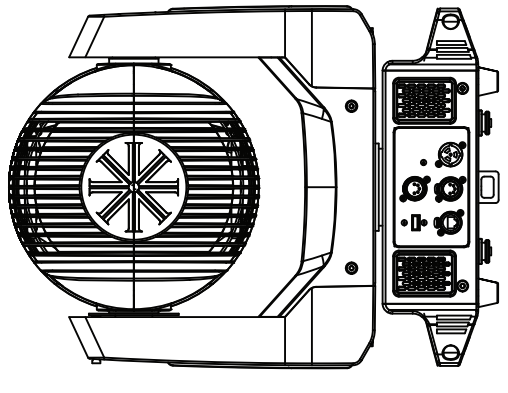
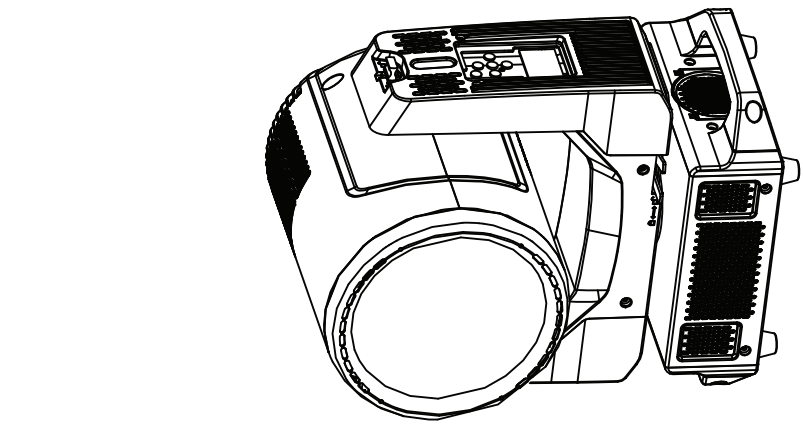
4

D

C

B

A



D

C

B

A

NOTES: