

## GP18A - GP18 Sub + Column Systems




Heavy duty 18" subwoofer combined with 3 modular 2" transducer array elements featuring PAT® technology by K-array™. The GP18A powered system can drive a GP18 passive system in a stereo configuration.

The GP18A features Powersoft™ DSP and power module with Ethernet remote control through Armonía™ control software.

Designed for high performance outdoor/indoor applications both for rental and permanent installations for touring, live bands, auditorium, and clubs. High performance to size/weight ratio featuring easy and fast setup possibility.

Frequent Applications	
Parties	Karaoke
Private events	DJ set
Corporate events	Weddings

Handling & Finishes	
Dimensions (WxHxD)	545 x 2220 x 600 mm (21,46 x 87,40 x 23,6 in)
Weight	43 kg (94,8 lb)
Material	Subwoofer: Birch Plywood Column: ABS
Color	Black 

### GP18A

Powered 18" Sub + Column System

General	
Type	Powered Sub + Column line array system
Transducers	SUB: 18" woofer TOP: 3 modules with 8x2" ferrite magnet woofers
Frequency Response	30 Hz - 20 kHz (-6 dB)
Max SPL <sup>1</sup>	125 dB (peak)
Coverage	V. 20°   H. 140°
Amp Module	4-channel Class-D
Output Power	4x 1500 W @ 4 Ω
Power Consumption	500W Rated Load (1/8 Max Output Power)
Operating Voltage	100-240V AC, 50-60 Hz
DSP features	Remote control and tuning Input and Output Delay Parametric input EQ Output parametric filters
Connectors	Volume potentiometer RJ45 for remote control 2x Combo XLR Input 2x SpeakON Output 1x PowerCon True AC MAINS
Controls	Volume potentiometer Preset selector Remote control through Powersoft ArmoniaPlus Software

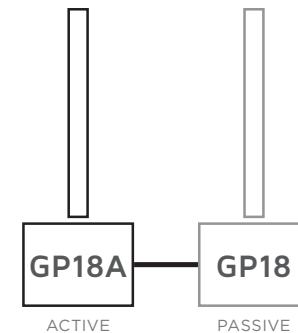
<sup>1</sup> Maximum SPL is calculated using a signal with crest factor 4 (12dB) measured at 1 m.

### GP18

Passive 18" Sub + Column System

General	
Type	Passive Sub + Column line array system
Transducers	SUB: 18" woofer TOP: 3 modules with 8x2" ferrite magnet woofers
Frequency Response	30 Hz - 20 kHz (-6 dB)
Max SPL <sup>1</sup>	125 dB (peak)
Coverage	V. 20°   H. 140°
Power Handling	SUB: 700W   TOP: 350W
Nominal Impedance	8Ω (sub) + 16 Ω (column)
Connectors	2x SpeakON (paralleled) SUB 2+/2-   TOP: 1+/1-

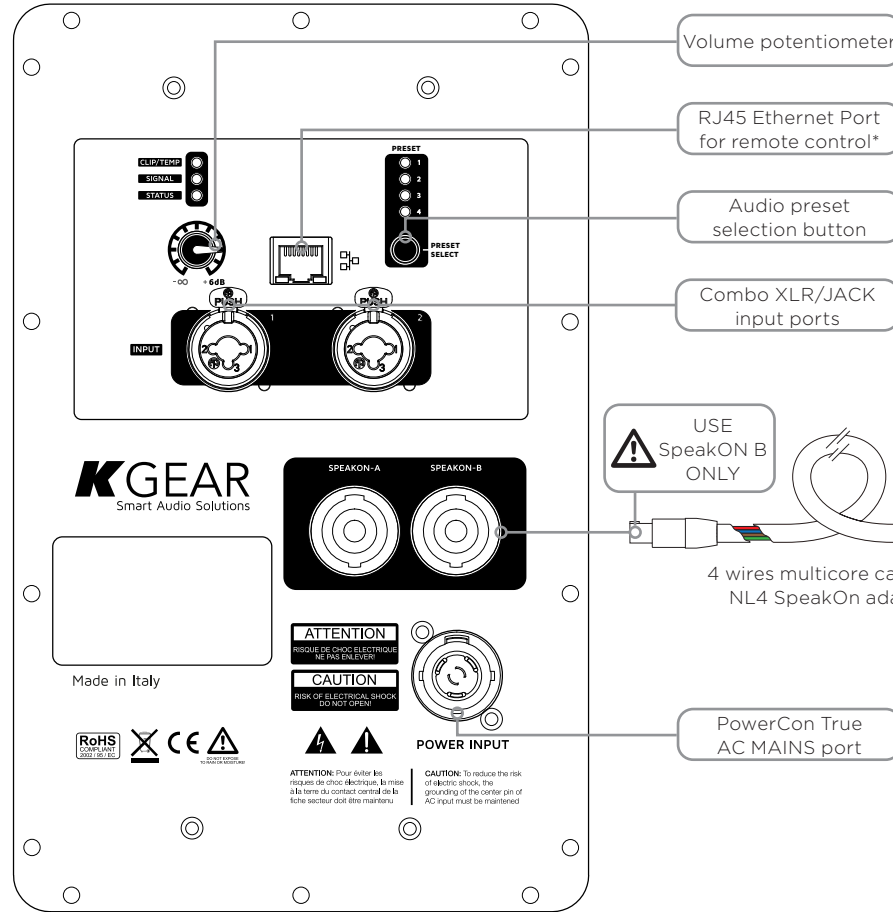
<sup>1</sup> Maximum SPL is calculated using a signal with crest factor 4 (12dB) measured at 1 m.



User Tip:  
optimize the cost and combine the active and passive systems whether it is for stereo configurations or if you prefer to extend the cluster.

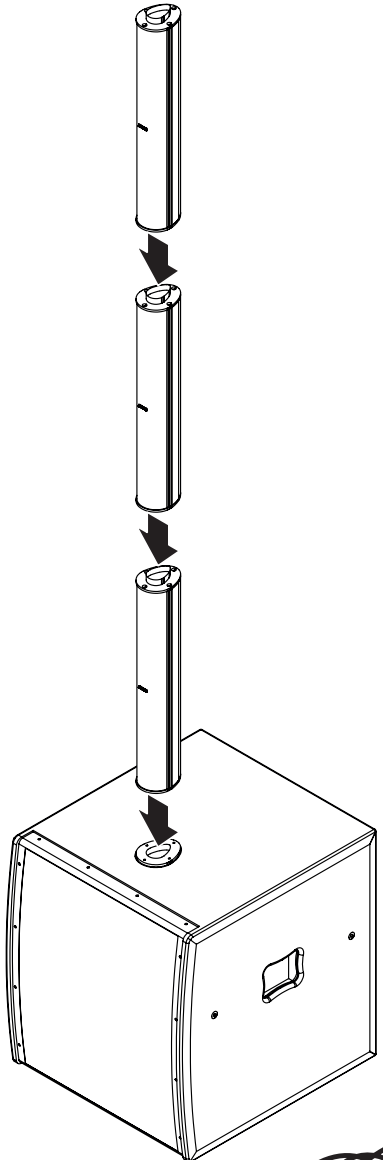
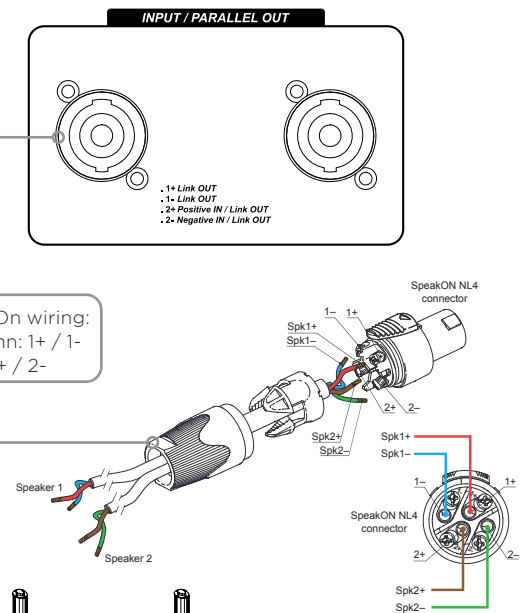
# Assembly

## GP18A rear panel



#	Preset Name
1	KGEAR optimized
2	Linear response
3	Subwoofer boost
4	Mid-high boost
Default	KGEAR optimized

## GP18 rear panel



\*ArmoniaPlus is the software for fine tuning and monitoring the GP18A loudspeakers system. Download ArmoniaPlus from Powersoft website:  
<https://www.powersoft.com/en/software/armoniplus-2-0>

