



PR 40C is a 40 watts, Cool white LED profile spot with a manual zoom function. It features a compact body design, a DMX control a CRI of 92 and 15° to 30° manual zoom. The high quality LED and the optical system creates a flat and even field of light with crisp pattern projection.

SOURCE Light source: 40 watts Cool White COB LED
LED life expectancy: 50,000 Hrs
Color temperature: 5600 K

OPTICAL SYSTEM Manual zoom
Zoom range: 15° to 30°
Light output: 3,000 Lux @ 2 m @ 10°
HQ optical system, clean shutter cuts beam

PHOTOMETRICS CRI (Color Rendering Index) : >92
TM-30 Rf (IES TM-30-15 Fidelity Index): >94
TM-30 Rg (IES TM-30-15 Gamut Index): >102
TLCI (Television Lighting Consistency Index): >97

KEY FEATURES 5 Dimmer curves selectable ; 16 bit
Color: Cool white
RDM data: Available
Video flicker free
Gobo Size: 20 mm

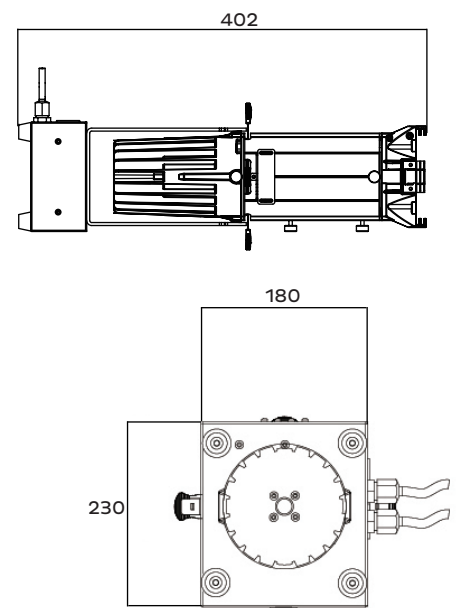
CONTROL & PROGRAMMING Control protocols: Rotary, DMX, RDM
Control channels: 1, 2, 3, 4 Chs

ELECTRICAL Input voltage: AC 100-240 V/50-60 Hz

CONNECTIONS DMX connections: 3 pin XLR In/Out male and female
Power connections: 3 pin power Input cable

PHYSICAL Dimensions: 402 x 180 x 230mm
Net weight: 2.3 Kg
Color: Black
Housing: Aluminum
IP rating: 20; Operating temperature: -5°C/45°C

Dimensions



Luminous Diagram

