



Description

The K-array Kayman-KY52 is a passive speaker system comprised of four 4" neodymium magnet transducers housed in an elegant and sturdy stainless steel chassis. The four closely spaced cone drivers provide true line array characteristics - phase coherence, low distortion and focused listening in both the near field, and at a distance from the speaker.

A variety of rigging accessories provides many linking and hanging options for the KY52 to be joint in vertical and horizontal line array configurations to satisfy many different venue requirements during temporary events and for permanent installations.

For easier use and integration with other speakers or amplifiers, the KY52 allows the user to select two different values of impedance (4Ω - 16Ω).

Integrating one of K-array powered subwoofers (Thunder-KS3, Thunder-KS4), configured with specific presets for the KY52, assures excellent coverage of the entire musical frequency range. The K-array Kommander-KA amplifier series have presets optimized for KY52 use.

All KY52 components are designed by the K-array R&D department and custom-made under the K-array quality control system.



Kayman-KY52

Technical specifications

Type	Passive line array loudspeaker
Transducers	4x 4" Neodymium magnet woofers
Frequency Response ¹	120 Hz – 20 kHz (-6 dB)
Max SPL ²	132 dB peak
Coverage	V. 10° - 60° H. 140°
Power handling	600 W
Nominal Impedance	4 Ω - 16 Ω
Connectors	2x SpeakOn NL4: 1+ 1- (signal); 2+ 2- (through)

Handling & Finishes

Material	Stainless Steel
Colors	Black, White, Custom RAL
IP Rating	IP64 ³
Dimensions (WxHxD)	120 x 520 x 130 mm (4.6 x 20.5 x 5.3 in)
Weight	9 kg / 20 lb

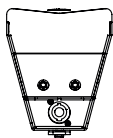
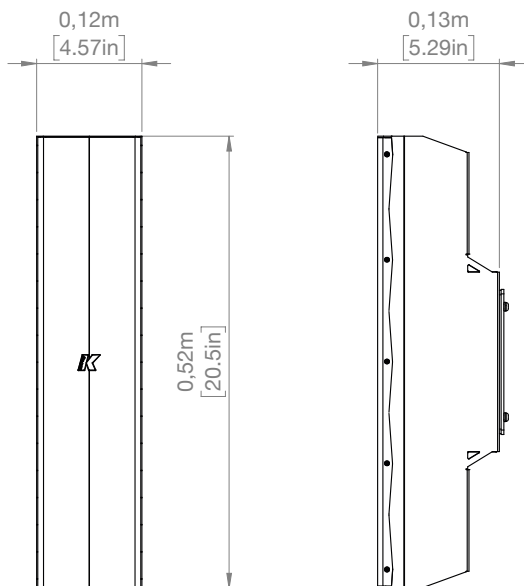
Accessories

K-FLY3	Steel flybar for suspended installations
K-JOINT3	Joining hardware to connect, fly, affix Kobras, Pythons, Kaymans, Rumble and Domino loudspeakers
K-FOOT3	Adapter for standing Kobras, Pythons, Kaymans, on top of a Thunder subwoofer or a pole
K-WALL2	Wall bracket with ball and socket joint (advanced model)
KY-STAGE	Foam, slip-on pads for horizontal Kayman setup (monitor or front fill)
K-KCLAMP / K-KCLAMP/S	Clamp for truss mount
K-PMOUNT	Pole mount adapter
K-IP65KITA	Weatherproof cap for not connected NL4 connectors
K-IP65KITB	Weatherproof rubber protection for NL4 connectors

1 With dedicated preset.

2 Maximum SPL is calculated using a signal with crest factor 4 (12dB) measured at 8 m then scaled at 1 m.

3 More complete water protection with dedicated accessories (IP65 compliant).



Notes:

Passive loudspeakers require dedicated presets loaded onboard K-array amplifiers.
 New materials and designs are introduced into existing products without previous notice.
 Present systems may differ in some respects from those presented in this catalog.

