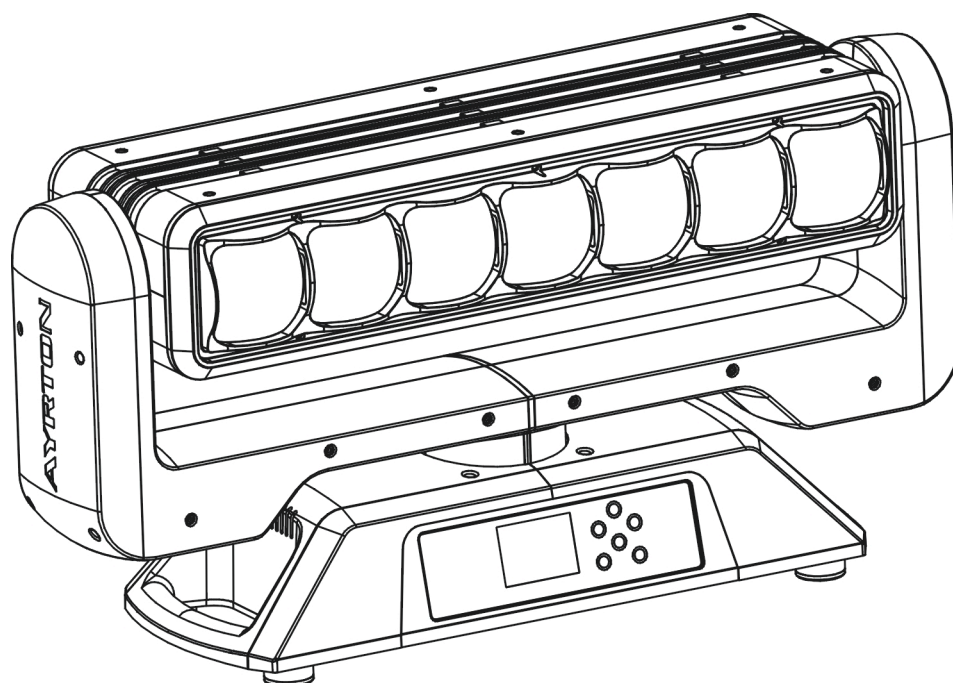




Manuel d'utilisation



magicblade FX

KEEP THIS MANUAL FOR FUTURE NEEDS



Thank you for your patronage. You have acquired a powerful and versatile fixture. We are confident that you will be satisfied with our excellent products and service. For your own safety, please read this user manual carefully before installing and operating the device.

CONTENTS

1. SAFETY INSTRUCTIONS	2
2. FEATURES	4
3. FIXTURE OVERVIEW	5
4. DIMENSIONAL DRAWINGS	6
5. INSTALLATION INSTRUCTIONS	7
6. DMX-512 CONTROL CONNECTION	10
7. DMX-512 CONNECTION WITH DMX TERMINATOR	10
8. DEVICE DMX START ADDRESS SELECTION	10
9. OPERATING INSTRUCTIONS OF THE INTERNAL DMX WIRELESS SYSTEM	11
10. DISPLAY	12
10. DMX PROTOCOL	23
11. ERROR MESSAGES	27
12. CLEANING AND MAINTENANCE	27

1. SAFETY INSTRUCTIONS


1.1. IMPORTANT SAFETY WARNING

This device has left the factory in perfect condition. In order to maintain this condition and to ensure safe operation, it is absolutely necessary for the user to follow the safety instructions and warning notes written in this user manual.

In order to install, operate, and maintain the lighting fixture safely and correctly we suggest that the installation and operation be carried out by qualified technicians and these instructions be carefully followed.


	CAUTION! HIGH VOLTAGE. RISK OF SEVERE OR FATAL ELECTRIC SHOCK
---	---

	CAUTION! ALWAYS DISCONNECT MAINS SUPPLY BEFORE REMOVING ANY FIXTURE COVERS
---	--

	CAUTION! NEVER LOOK DIRECTLY INTO THE LIGHT SOURCE. SENSITIVE PERSONS MAY SUFFER AN EPILEPTIC SHOCK
--	---

	CAUTION! NEVER TOUCH THE DEVICE DURING OPERATION! COVERS MAY BE HOT
---	---

	CAUTION! KEEP THIS DEVICE AWAY FROM RAIN AND MOISTURE
---	---

 **Important:** *Damage caused by the disregard of this user manual is not subject to warranty. The dealer and manufacturer will not accept liability for any resulting defects or problems.*

- If the device has been exposed to temperature changes due to environmental conditions, do not power on immediately. The resulting condensation could damage the device. Leave the device powered off until it has reached room temperature.
- This device falls under protection-class I. Therefore, it is essential that the device be earthed.
- If either lenses or display are damaged (damage may include cracks or gashes in the material) they must be replaced.
- Electrical connections, such as replacing the power plug, must be performed by a qualified person.
- Make sure that the available voltage is not higher than that which is stated at the end of this manual.
- Make sure the power cord is never crushed or damaged by sharp edges. Should the power cord suffer If this should be the case, replacement of the cable must be done by an

authorized dealer.

- If the external flexible power cord of this device is damaged, it shall be exclusively replaced by the manufacturer or their service agent or a similar qualified person in order to avoid injury.
- When the device is not in use or before performing maintenance, always disconnect the device from the mains. Only handle the power cord from the plug. Never pull the plug out of a socket by tugging the power cord.
- When powered on for the first time, some smoke or smell may occur. This is caused by coating on metal parts when heated and is normal. If you are concerned, please contact your distributor.
- Do not focus the beam onto flammable surfaces. The minimum distance between the exiting lens of the device and the illuminated surface must be greater than 0.5 meter.

Please be aware that damage caused by any modifications to the device are not subject to warranty. Keep away from children and non-professionals.

1.2. GENERAL GUIDELINES

- This device is a lighting effect for professional use on stages, in discotheques, theatres, etc., the device was designed for indoor use only.
- This fixture is only allowed to be operated within the maximum alternating current as stated in the technical specifications in section 2 of this manual.
- Handle the device with care, avoid shaking or using force when installing or maintaining the device.
- When choosing the installation location, please make sure that the device is not exposed to extreme heat, moisture or dust.
- If you use the quick lock cam when rigging the device, make sure the quick lock fasteners are located in the quick lock holes correctly and securely.
- Operate the device only after having familiarized yourself with its functions. Do not permit operation by persons not qualified for operating the device. Most damages are the result of unprofessional operation.
- Please use the original packaging if the device is to be transported.
- The applicable temperature for the device is between -10°C to 45°C. Do not use the device outside of this temperature range.

For safety reasons, please be aware that all modifications to the device are forbidden.

If this device is operated in any way different to the ones described in this manual, the product may suffer damage and the warranty becomes void. Furthermore, any other operation may lead to short-circuits, burns, electric shocks etc.

2. FEATURES

POWER SUPPLY

- AC 100-240V~, 50/60Hz
- Power Consumption: 400W

OPTICS

- LED: 7x40W High-Power LEDs, RGBW 4 in 1 LED make extremely even and smooth color mixing effect
- RGBW 4 in 1 LED make extremely even and smooth color mixing effect
- Extremely long Life: 50,000H and low power consumption

MOVEMENT

- Pan movement: 540° /630° Optional (16 bit)
- Tilt movement: 265° (16 bit)
- Advanced moving system: fast, stable and quite, auto x-y repositioning



COLORS

- Excellent color mixing and rainbow effect
- Color temperature linear adjust from 2700K to 8000K, preset color temperature scenes with: 2700K, 3200K, 4300K, 5600K, 6500K, 8000K options

FEATURES

- 3 Control channel modes: 22 / 19 / 18 channels
- 2 operations modes: DMX-512, Master / Slave modes
- Pixel Control: can make extremely chasing effect
- Strobe effect with 1-25 flashes per second and pulse effect
- General dimming and blackout for all four colors
- Wireless receiver pre-installed

DISPLAY

- Advanced and convenient full –color LCD touch screen, with rechargeable battery
- Locked automatically after standby for 15 seconds to prevent error; hold the button for 3 seconds to activate
- Friendly reset detection: hold  and  button to lock pan /tilt reset, able to complete reset detection inside flight case

SOFTWARE

7 pre-installed programs available upon selection

Upgrades: fast and convenient through DMX cable

Reset DMX address, remote lamp switch, reset can all be done by the controller

OTHER SPEC

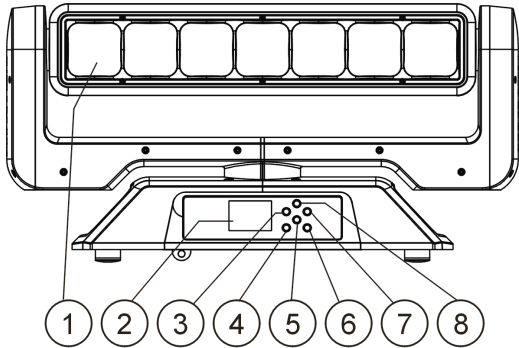
Input signal isolation: guarantees stable signal transmission without interference

Advanced RDM function

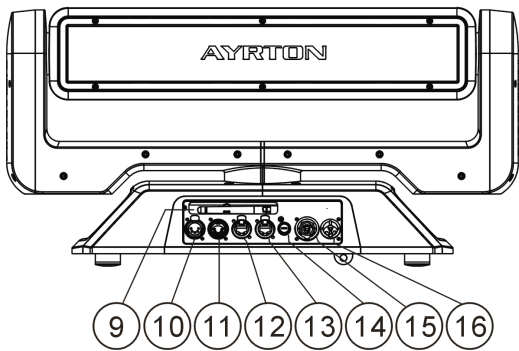
WHIGHT

Net weight: 13 kg

3. FIXTURE OVERVIEW

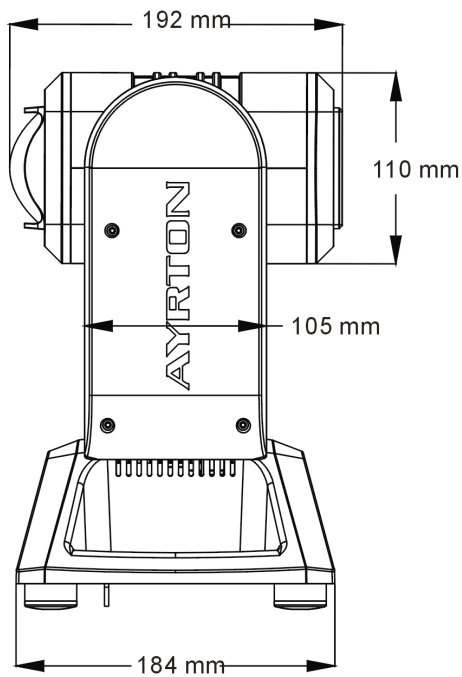
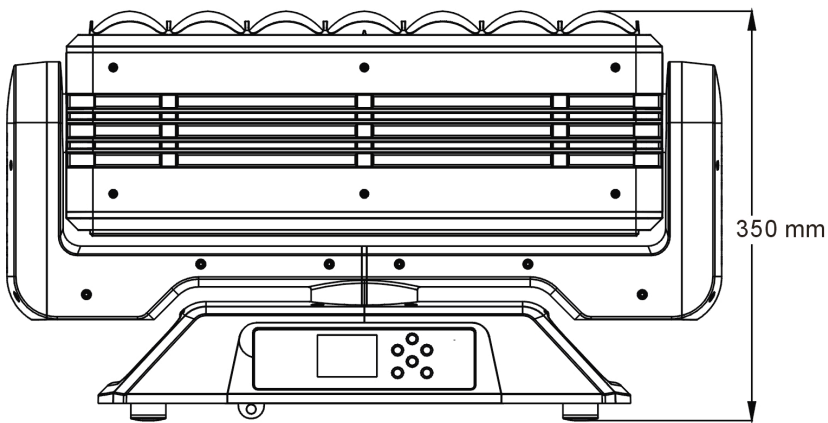
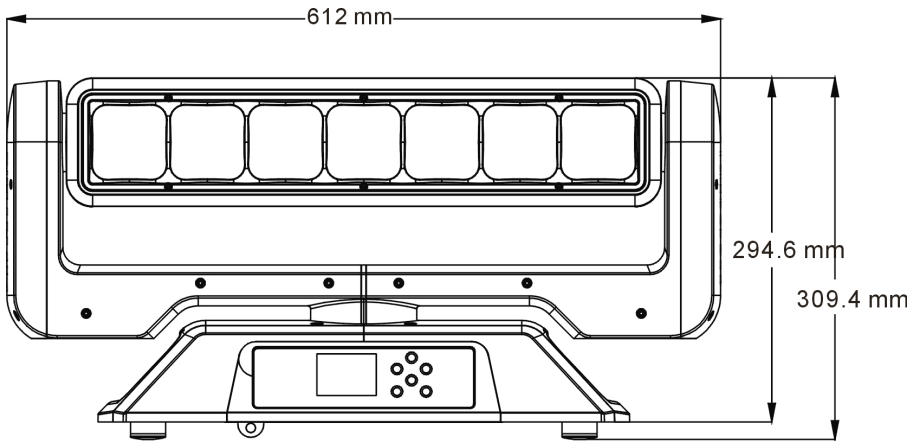


- 1) Lens
- 2) Display
- 3) Left-button
- 4) Mode/esc- button
- 5) Down-button
- 6) Enter-button
- 7) Right-button
- 8) Up-button



- 9) Antenna – Wireless DMX
- 10) 5-Pin DMX out
- 11) 5-Pin DMX in
- 12) RJ45 out
- 13) RJ45 in
- 14) Fuse
- 15) Power out
- 16) Power in

4. DIMENSIONAL DRAWINGS



5. INSTALLATION INSTRUCTIONS



CAUTION!

DO NOT OPERATE THIS DEVICE WITH OPEN COVER

5.1. RIGGING THE DEVICE

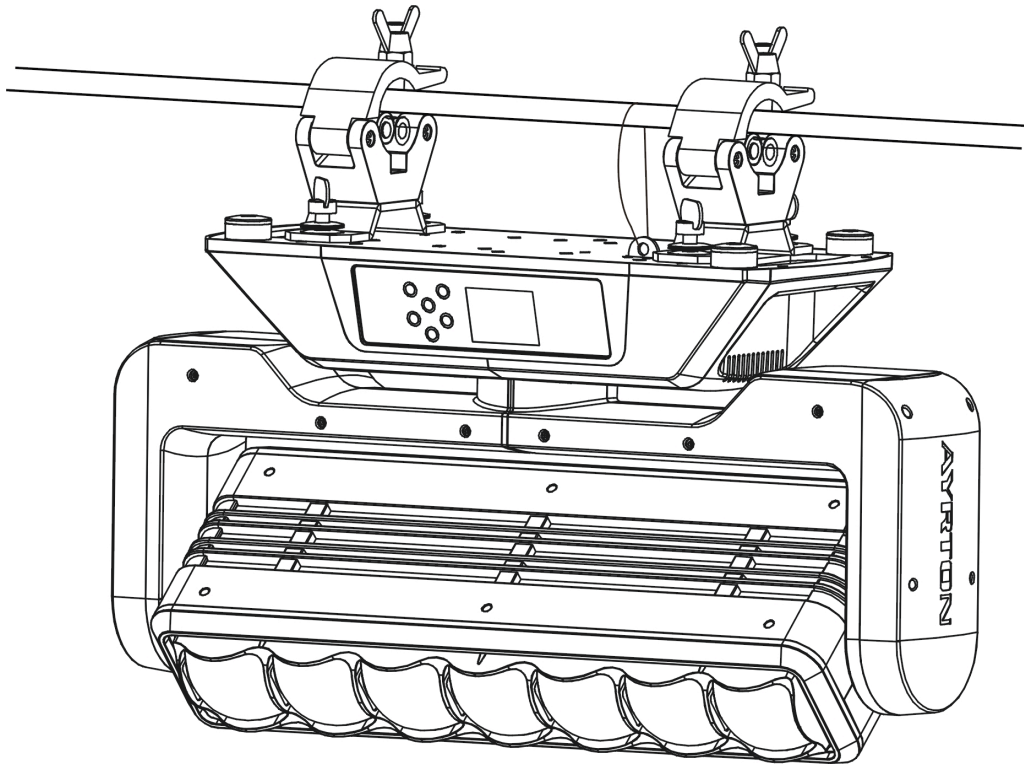


CAUTION!

PLEASE CONSIDER THE GB7000.1-2015, GB7000.217-2008 AND THE OTHER RESPECTIVE NATIONAL NORMS DURING THE INSTALLATION. THE INSTALLATION MUST ONLY BE CARRIED OUT BY A QUALIFIED PERSON.

- The structure on which the device is rigged must be able to support 10 times the weight of the device for 1 hour without any critical deformation occurring.
- The installation must always be secured with a secondary safety attachment, e.g. the included appropriate safety cable.
- Never stand directly below the device when rigging, de-rigging or maintaining the device.
- All electrical connections should be approved by a qualified electrician prior to using the product.
- When the device is permanently installed these installations have to be approved by a qualified person once a year.
- Overhead rigging requires extensive experience, including (but not limited to) calculating working load limits, specifying installation/ rigging materials, and periodic safety inspection of all installation material as well as the device. If you lack these qualifications, do not attempt the rigging of this device yourself. Improper installation/ rigging can result in serious bodily injury.
- Before rigging make sure that the installation area can hold a minimum point load of 10 times the device's weight.

5.2. RIGGING USING THE OMEGA BRACKETS



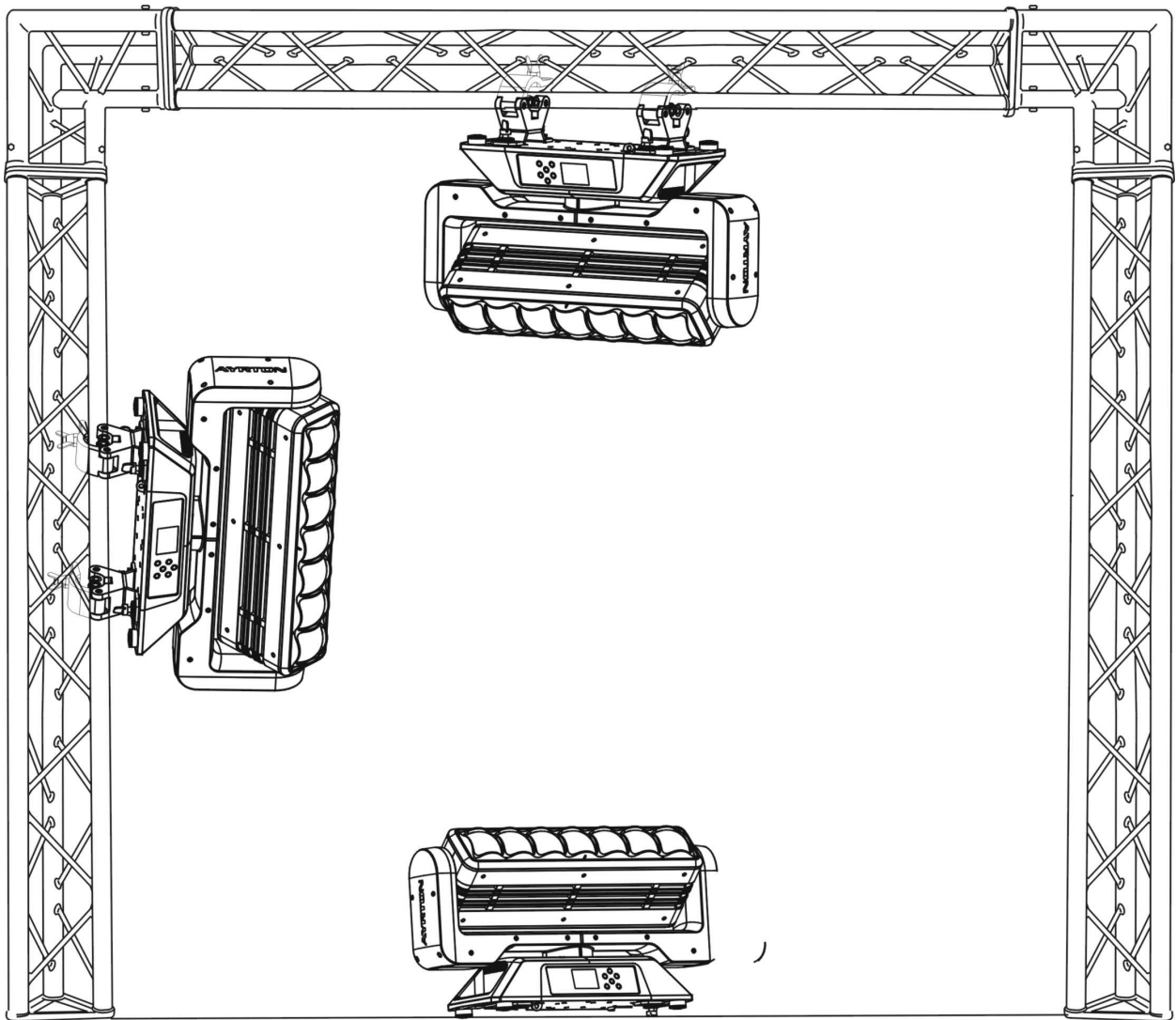
- Fix the clamp to the bracket by tightening the M12 nut and bolt to the bracket through the $\Phi 13$ hole in the middle of the bracket.
- Insert the quick-lock fasteners of the first Omega holder into the respective holes on the bottom of the device. Tighten the quick-lock fasteners fully clockwise.
- Install the second Omega holder.
- Pull the safety cable through the holes on the bottom of the base and over the trussing system or another suitable rigging point. Insert the end into the carabiner and tighten the safety screw.



Important:

This step is very important to ensure safe rigging of the fixture.

5.3. RIGGING DRAWINGS



- The device can be rigged in any of the orientations shown in the image above.
- The device must be kept at least 0.1 m away from any flammable materials (decoration etc.).
- Always use and install the supplied safety cable as a safety measure to prevent accidental damage and/or injury in the event the clamp fails.

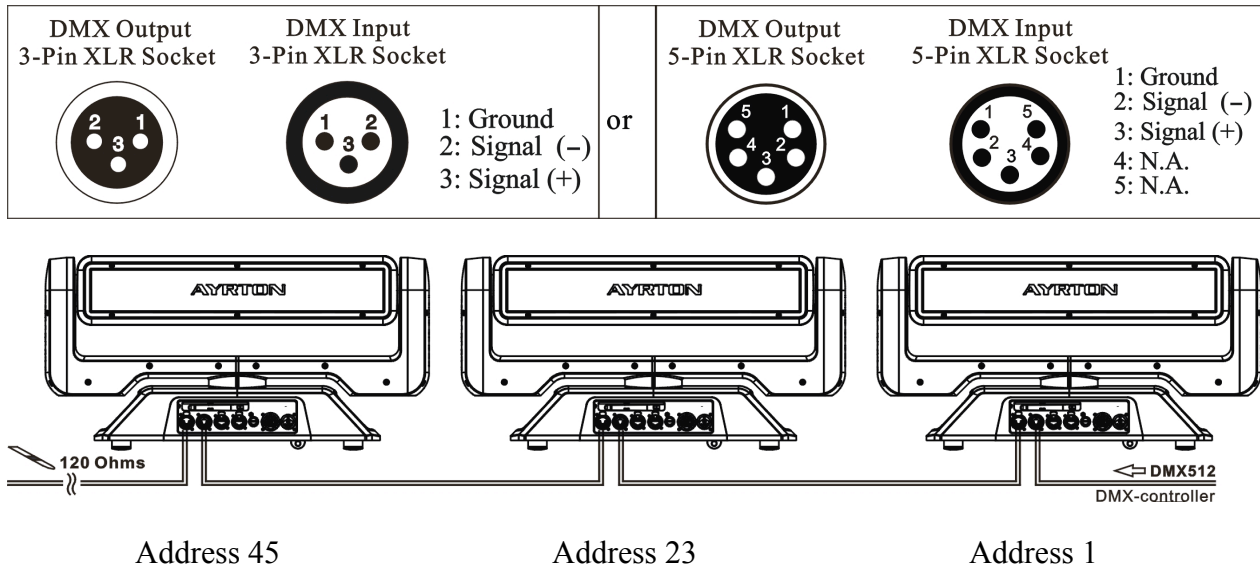


Important:

Overhead rigging requires extensive experience, including (but not limited to) calculating working load limits, specifying installation/ rigging materials, and periodic safety inspection of all installation material as well as the device. If you lack these qualifications, do not attempt the rigging of this device yourself. Improper installation/ rigging can result in serious bodily injury.

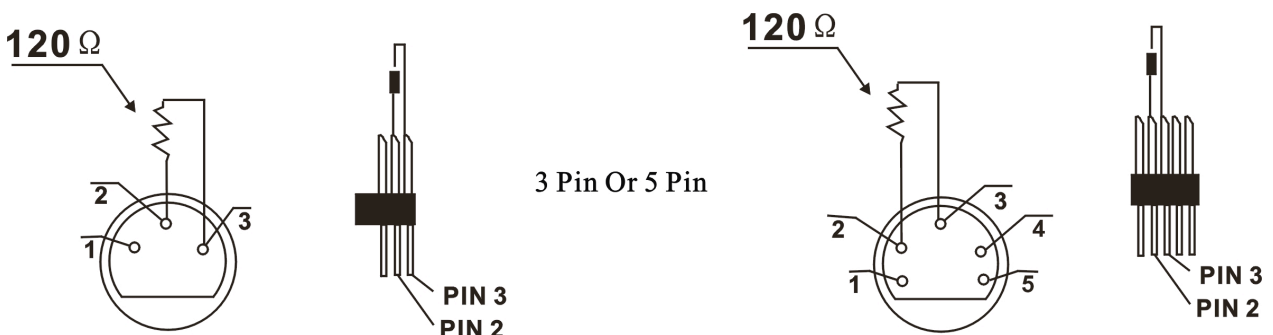
6. DMX-512 CONTROL CONNECTION

Connect the provided male side of the XLR cable to the female XLR output of your controller and the female side of the XLR cable to the male XLR input of the device. You can connect multiple devices together in a serial fashion. The cable needed should be two core, screened cable with XLR input and output connectors. Please refer to the diagram below.



7. DMX-512 CONNECTION WITH DMX TERMINATOR

For installations where the DMX cable has to run over a long distance or is in an electrically noisy environment, such as in a discotheque, it is recommended to use a DMX terminator. This helps in preventing corruption of the digital control signal caused by electrical noise. The DMX terminator is an XLR plug with a 120 Ω resistor connected between pins 2 and 3, which is then plugged into the output (female) XLR socket of the last fixture in the chain. Please see illustrations below.



8. DEVICE DMX START ADDRESS SELECTION

All fixtures should be given a DMX starting address when using a DMX signal, so that the correct fixture responds to the correct control signals. This digital starting address is the channel number from which the fixture starts to “listen” to the digital control information sent out from the DMX controller. The allocation of this starting address is achieved by setting the correct address number on the display located on the base of the device.

You can set the same starting address for all fixtures or a group of fixtures, or set different addresses for each fixture individually.

If you set the same address on all devices, all the devices will start to “listen” to the same control signal from the same channel number. In other words, changing the settings of one channel will affect all the fixtures simultaneously.

If you set a different address, each unit will start to “listen” to the channel number you have set, based on the quantity of control channels of the unit. That means changing the settings of one channel will affect only the selected device.

In the case of the led move head, which is a 22 channel fixture, you should set the starting address of the first unit to 1, the second unit to 23(22 + 1), the third unit to 45 (22+ 23), and so on.

9. OPERATING INSTRUCTIONS OF THE INTERNAL DMX WIRELESS SYSTEM

1. Equipments:

DMX 512 controller, wireless transmitter, and the fixtures with wireless receiver.

2. Message from the LED indicator:

- 1) Rapid flashing red/Green: logging in to a transmitter
- 2) Slow flashing Red/Green: Logged on a transmitter and the DMX line is idle (No DMX is connected to transmitter).
- 3) Solid Green: Logged on to a transmitter and receiving DMX data.
- 4) Solid Red: Not logged on to a transmitter (free)

3. WDMX in the menu of the fixture:

On a fixture installed with wireless system, in order to switch between wireless control system and traditional DMX control (with cable), a new menu WDMX is added to the display board.

ON: (Activate WDMX)

- 1) When the fixture is on power, and the WDMX is activated to ON status, but did not connect to the controller and did not log in to the transmitter, the fixture will search for the DMX signal source. If the fixture is connected to the DMX controller it can be controlled by DMX controller; if it is log in to the wireless transmitter, it can be controlled by the Transmitter
- 2) When the fixture is power off, and the WDMX is in ON status, if the fixture is connected to DMX controller. After the fixture is power on, it can be controlled only by the DMX controller which connected. The fixture can log in the wireless transmitter, and receive only radio signal from transmitter, but not DMX from the transmitter.

OFF: (De-activate WDMX)

In this status, wireless system is not activated, so the fixture can not log in the transmitter.

REST: (reset WDMX memory);

Can remove the fixture from the connection with the transmitter, the fixture become free and ready to log in any transmitter.

4. Setup the wireless system:

- 1) Connect the transmitter with the DMX controller
- 2) To make the fixture installed with wireless receiver log in to the transmitter
 - a) Initially, the indicator on the receiver fixture should be in Solid red
 - b) Press and hold the configuration button on transmitter for less than 3 seconds the red/green LEDs on the transmitter and the receiver fixture will flash rapidly for about 5~ 10

seconds while the system goes through its setup procedure.

c) Once the receiver fixture is logged in to the transmitter (T1), the fixture with wireless receiver will keep the memory, even if restart the power, this unit will log in the transmitter (T1) automatically.

3) Use the DMX 512 to control the fixture

5. Remove the receivers from transmitter (T1) and to log in to another transmitter (T2)

Case 1: Remove a receiver:

a) On the control board of the fixture, enter menu to activated the function of REST;

b) The LED for wireless on the fixture should turn to Solid red; the receiver can log out from the transmitter (T1);

c) press the configuration button on transmitter(T2) for less than 3 second, then the fixture will start to connect with the transmitter(T2)

Case 2: Remove all receivers from a transmitter (T1) to log in to T2;

a) Press and hold the configuration button on the T1 as least 5 seconds, can clear the connection with all the fixtures.

b) All the red/green LEDs on the receiver fixtures will turn to Solid red to indicate that the receivers are unassigned and removed from the transmitter (T1);













c) Press and hold the configuration button on the T2 less then less than 3 second , the fixtures will connect with the T2

PS: 1. Please log the receivers out from the transmitter after every job, so that the receivers are in free un assigned state and ready to be assigned to a transmitter.

2. Do not connect the fixture which is under the communication of wireless system to the DMX controller, otherwise it will cause interference from the DMX controller.

10. DISPLAY

The Display offers several features: you can set the starting address, run the pre-programmed program or reset the device.

The main menu is accessed by pressing the  -button until the display starts flashing. Browse through the menu by pressing the  -button ,  -button ,  -button or  -button. Press the Enter-button in order to select the desired menu. You can change the selection by pressing the  -button ,  -button ,  -button or  -button. Confirm every selection by pressing the  -button. You can leave every mode by pressing the  -button. After accessing the edit mode, the unit will automatically exit to the main menu after 15 seconds from the last button press. When the unit is powered on, if no data signal is connected after 1 minute, then the display will switch off automatically. The Display does not need external power to operate. Hold down the  -button for 3 seconds and the Display will turn on by using the unit's battery built in battery.

Default settings shaded

Address	Set Dmx Addr	A001~AXXX		DMX address setting
Users Mode	User Mode	Stand Mode Basic Mode Extend Mode User Mode A User Mode B User Mode C		User's mode to change channel numbers
	Edit User	Max channel PAN :		Preset User modes :
Options	Status	No DMX Mode Pan Reverse Tilt Reverse Pan Degree Feedback Pan/Tilt Spd Hibernation	Close/Hold/Auto ON/OFF ON/OFF 630/540 ON/OFF Speed 1~ 4 OFF , 01M~99M	Add. via DMX Auto run if no DMX Pan Reverse movement Tilt Reverse movement Pan Degree Select Movement Feedback Reset Pan/Tilt Stand by Mode
	Service PIN	Service PIN RDM PID Set Ip	Password=XXX xxxxxx xxx.xxx.xxx.xxx	Service Password“=050” RDM PID Code IP Addr
	Fans Control	Head Control	Auto Stage Studio	Fans Speed select
	Disp.Setting	Shutoff Time Flip Display Key Lock DispFlash	02~60m 05m ON/OFF ON/OFF ON/OFF	Display shutoff time Reverse 180 degree Key Lock No Signal Rash
	Signal Select	DMX WDMX Art—Net sACN		DMX Wireless DMX Art-Net sACN
	Set Universe	xxx		Art-Net Universe NO.
	Flip Pixel	ON/OFF		LED reverse order
	Temp. C/F	Celsius Fahrenheit		Temperature switch between □/□
	Initial Pos.	PAN =XXX		Initial effect position
	Wireless DMX	Activate WDMX Act&Data Out Rest WDMX		Activate WDMX Act & Data Out Reset Wireless DMX Mem
	Trigger	DMX Value Disp. Set To Slave Auto Program	PAN..... Slave1,Slave2,Slave3 Master / Alone	DMX value display Slave setting Auto program
	ResetDefault	ON/OFF		Restore factory set.

Info	Time Info.	Current Time Ttl Life Hrs Last Run Hrs Timer PIN Clr Last Run	XXXX(Hours) XXXX(Hours) XXXX(Hours) Password=XXX ON/OFF
	Temp. Info	Head Temp.	XXX°C/°F
	Software Ver	V1.0.....	Software version
	Network	IP,Mask,Mac	Network setting
Test	Home	All Pan&Tilt Other	Reset all motors Reset Pan/Tilt Reset Other
	Test Channel	PAN	Test function
	Manual Ctrl.	PAN =XXX :	Fine adjustment of the device
	Calibration	-Password- PAN :	Password "050" Calbrate and adjust the effects to standard/right position
Preset	Select Prog.	Prog. Part 1 = Program 1 ~ 10 Program 1 Prog. Part 2 = Program 1 ~ 10 Program 2 Prog. Part 3 = Program 1 ~ 10 Program 3	Select programs to be run
	Edit Prog.	Program 1 : Program 10	Program Test Step 01=SCxxx Step 64=SCxxx
	Edit Scenes	Edit Scene 001 ~ Edit Scene 250	Pan,Tilt,..... --Fade Time-- --Secne Time-- Input By Outside
	Scenes Input	XX~XX	Automat. scenes rec

9.1. Address

Set DMX Addr

With this function, you can adjust the desired DMX-address via the Display.

1. Access the main menu.
2. Tap the <Up/Down> button until "Set DMX Addr" is displayed.
3. Press ENTER, the display will show "Set DMX Addr".
4. Tap the <Up/Down> button, the display will show "A001~AXXX"
5. Press ENTER to confirm or press <MODE/ESC> to return to the main menu.

9.2. USERS MODE SET

1. Tap <MODE/ESC> button, access the main menu, Tap the <Up/Down> button until "Users mode set" is displayed. Press <ENTER>, the display will show "Users mode set".
2. The display shows "User Mode", Press <Up/Down> button, then you can choose "Edit User Mode A", "Edit User Mode B" and "Edit User Mode C".
3. Press <ENTER> to confirm or press <MODE/ESC> to exit

As well as Standard Mode, Basic Mode and Extended Mode, this fixture has another three DMX modes which can be set according to user's needs. To set one of these user modes see below:

1. Tap <MODE/ESC> button, access the main menu, Tap the <Up/Down> button until “Users mode set” is displayed. Press <ENTER>, the display will show “Users mode set”.
2. Choose “Edit User Mode A”, press “ENTER”
3. Set “Max Channel=xxx” the max channel
4. Set “Edit User Mode B” and “Edit User Mode C” as above

9.2.1. User Mode

With this function, you can create user defined channel orders.

9.2.2. Edit User Mode

With this function, you can adjust the rest user defined channel order.

1. Tap <MODE/ESC> button, access the main menu, Tap the <Up/Down> button until “Users mode set” is displayed. Press <ENTER>, the display will show “Users mode set”.
2. The display show “Edit User Mode” first channel, Press <Up/Down> the display will show “Edit User Mode”.
3. Press <ENTER> to confirm or press <MODE/ESC> to return to the main menu.

9.3. Options

9.3.1. Status

No DMX Mode

With this function, when the drive is not DMX signal, it runs automatism, close, hold and music, the default is hold.

1. Access the main menu.
2. Press <Up/Down>, the display will show “No DMX Mode” .
3. Press <ENTER>, the display will show “No DMX Mode” .
4. The display show “Hold”, Press <Up/Down>, the display will show “Close”, “Auto”, “Music”.
5. Press <ENTER> to confirm or press <MODE/ESC> to return to the main menu.

Pan Reverse

With this function you can reverse the Pan-movement.

1. Access the main menu.
2. Press <Up/Down>, the display will show “Pan Reverse” .
3. Press <ENTER>, the display will show “Pan Reverse” .
4. The display show “OFF” , Press <Up/Down>, the display will show “ON” .
5. Press <ENTER> to confirm or press <MODE/ESC> to return to the main menu.

Tilt Reverse

With this function you can reverse the Tilt-movement.

1. Access the main menu.
2. Press <Up/Down>, the display will show “Tilt Reverse” .

3. Press < ENTER >, the display will show “Tilt Reverse” .
4. The display show “OFF” ,Press <Up/Down>, the display will show “ON” .
5. Press <ENTER> to confirm or press <MODE/ESC> to return to the main menu.

Pan Degree

With this function, you can select pan degree for 630 or 540.

1. Access the main menu.
2. Press <Up/Down>, the display will show “Pan Degree” .
3. Press < ENTER >, the display will show “Pan Degree” .
4. The display show “540” ,Press <Up/Down>, the display will show “630” .
5. Press <ENTER> to confirm or press <MODE/ESC> to return to the main menu.

Feedback

With this function, you can feedback switch of pan movement or tilt movement.

1. Access the main menu.
2. Press <Up/Down>, the display will show “Feedback” .
3. Press < ENTER >, the display will show “Feedback” .
4. The display show “ON” ,Press <Up/Down>, the display will show “OFF” .
5. Press <ENTER> to confirm or press <MODE/ESC> to return to the main menu.

Pan/Tilt Spd

With this function, you can select scan mode from 1 to 4.

1. Access the main menu.
2. Press <Up/Down>, the display will show “Pan/Tilt Spd” .
3. Press < ENTER >, the display will show “Pan/Tilt Spd” .
4. The display show “Speed 1” ,Press <Up/Down>, the display will show “Speed 2”, “Speed 3”, “Speed 4”.
5. Press <ENTER> to confirm or press <MODE/ESC> to return to the main menu.

Hibernation —Standby mode

The lamp and step motors will be power off if the fixture stay without DMX signal for 15 mins (Factory default).And the fixture will be reset before working once it receive DMX signal again.

1. Access the main menu.
2. Press <Up/Down>, the display will show “Hibernation” .
3. Press < ENTER >, the display will show “Hibernation” .
4. The display show “15M” ,Press <Up/Down>, the display will show “01M”, “02M” “99M” or “OFF” .
5. Press <ENTER> to confirm or press <MODE/ESC> to return to the main menu.

9.3.2. Service PIN

Service PIN—The Password for this function is “50”.

RDM PID— With this function you can call up various submenus via RDM.

This device is RDM ready. RDM stands for "remote device management" and makes remote control of devices connected to the DMX-bus. ANSI E1.20-2006 by ESTA specifies the RDM standard as an extension of the DMX512 protocol.

Manual settings like adjusting the DMX starting address are no longer needed. This is especially useful when the device is installed in a remote area.

RDM ready and conventional DMX devices can be operated in one DMX line. The RDM protocol sends own packages in the DMX512 data feed and does not influence conventional devices.

If DMX splitters are used and RDM control is to be used, these splitters must support RDM. The number and type of RDM parameters depend on the RDM controller being used.

Set IP

1. Access the main menu.
2. Press <Up/Down>, the display will show “Set IP.” .
3. Press< ENTER>, the display will show “Set IP” .
4. The display show “xxx.xxx.xxx.xxx” .
5. Press <ENTER> to confirm or press <MODE/ESC> to return to the main menu.

9.3.3. Fans Control

With this function, you can set the speed of the running fans. The options are Auto, High and Low.

1. Tap <MODE/ESC> button, access the main menu, Tap the <Up/Down> button until “Options” is displayed. Press ENTER, the display will show “Options”.
2. Press <Up/Down>, the display will show “Fans Control”, Press< ENTER>.
3. Press <Up/Down>, the display will show “Head Control”, Press< ENTER>.
4. The display show “Auto”, Press <Up/Down>, the display will show “Stage”, “Studio”.
5. Press <ENTER> to confirm or press <MODE/ESC> to return to the main menu.

9.3.4. Display Setting

Shut off time

With this function you can shut off the LCD display after 2 to 60 minutes. The default is 5 minutes.

Flip Display

With this function you can rotate the display by 180°.

1. Tap <MODE/ESC> button, access the main menu, Tap the <Up/Down> button until “Options” is displayed. Press ENTER, the display will show “Options”. Tap the <Up/Down> button until the display will show “Display Setting”. Press ENTER, the display will show “Display Setting”.
2. Press <Up/Down>, the display will show “Flip Display”.
3. Press< ENTER>, the display will show “Flip Display”.
4. The display show “OFF”, Press <Up/Down>, the display will show “ON”
5. Press <ENTER> to confirm or press <MODE/ESC> to return to the main menu.

Key Lock

With this function you can activate the automatic key lock function. If this function is activated, the keys will be locked automatically after exiting the edit mode for 15 seconds. keeping press the <MODE/ESC> key for 3seconds if you do not need this function.

1. Tap <MODE/ESC> button, access the main menu, Tap the <Up/Down> button until “Personality” is displayed. Press < ENTER>, the display will show “Personality”. Tap

the <Up/Down> button until the display will show “Display Setting”. Press ENTER, the display will show “Display Setting”.

2. Press <Up/Down>, the display will show “Key Lock”.
3. Press <ENTER>, the display will show “Key Lock”.
4. The display show “OFF”, Press <Up/Down>, the display will show “ON”.
5. Press <ENTER> to confirm or press <MODE/ESC> to return to the main menu.

Displ Flash

With this function you can the entire display to be flipped by 180° to allow for better view when the fixture is hung from truss or a ceiling. This function is disabled as default.

1. Tap <MODE/ESC>button , access the main menu , Tap the <Up/Down>button until ”Personality” is displayed. Press ENTER, the display will show “Personality”. Tap the <Up/Down>button until the display will show “Display Setting”. Press ENTER, the display will show “Display Setting”.
2. Press <Up/Down>, the display will show ”Display Reverse”.
3. Press <ENTER>, the display will show ”Display Reverse”.
4. The display show “OFF”, Press <Up/Down>, the display will show “ON”.
5. Press <ENTER> to confirm or press <MODE/ESC> to return to the main menu.

9.3.5. Signal Select

1. Access the main menu.
2. Press <Up/Down>, the display will show “Signal Select” .
3. Press <ENTER>, the display will show “Signal Select” .
4. The display show “DMX” ,Press <Up/Down>, the display will show “WDMX” , “Art--Net” , “sACA” .
5. Press <ENTER> to confirm or press <MODE/ESC> to return to the main menu.

9.3.6. Set Universe

1. Tap <MODE/ESC> button, access the main menu, Tap the <Up/Down> button until “Options” is displayed. Press ENTER, the display will show “Options”.
2. Press <Up/Down>, the display will show “Set Universe”.
3. Press <ENTER>, the display will show “Set Universe”.
4. The display show “000-255” ,
5. Press <ENTER> to confirm or press <MODE/ESC> to return to the main menu.

9.3.7. Flip Pixel

1. Tap <MODE/ESC> button, access the main menu, Tap the <Up/Down> button until “Options” is displayed. Press ENTER, the display will show “Options”.
2. Press <Up/Down>, the display will show “Flip Pixel”.
3. Press <ENTER>, the display will show “Flip Pixel”.
4. The display show “OFF”, Press <Up/Down>, the display will show “ON” .,
5. Press <ENTER> to confirm or press <MODE/ESC> to return to the main menu.

9.3.8. Temp. C/F

With this function, Display the temperature for Celsius or Fahrenheit.

1. Access the main menu.
2. Press <Up/Down>, the display will show “Temp. C/F” .
3. Press <ENTER>, the display will show “Temp. C/F” .

4. The display show “Fahrenheit” ,Press <Up/Down>, the display will show “Celsius”.
5. Press <ENTER> to confirm or press <MODE/ESC> to return to the main menu.

9.3.9. Initial Pos.

With this function, Display initial effect position.

1. Access the main menu.
2. Press <Up/Down>, the display will show “Initial Pos.” .
3. Press< ENTER>, the display will show “Initial Pos.” .
4. The display show “XXX” .
5. Press <ENTER> to confirm or press <MODE/ESC> to return to the main menu.

9.3.10. Wireless DMX

From factory, this projector is prepared for wireless data transmission (W-DMX). If you wish to de-activate W-DMX control, you can select the function “De-activate WDMX” by turning the encoder. With the function “rest”, you can log out the projector from the wireless sender.

1. Access the main menu.
2. Press <Up/Down>, the display will show “Wireless DMX” .
3. Press< ENTER>, the display will show “Wireless DMX” .
4. The display show “Activate WDMX” , Press <Up/Down>, the display will show “Act&Data Out” , “Rest WDMX”.
5. Press <ENTER> to confirm or press <MODE/ESC> to return to the main menu.

9.3.11. Trigger

DMX Value Disp.

With this function you can display the DMX 512 value of each channel. The display automatically shows the channel with a value changing.

1. Access the main menu.
2. Tap the <Up/Down>button until “DMX Value Disp.” is displayed.
3. Press ENTER, the display will show “DMX Value Disp.” .
4. Tap the <Up/Down>button, choose each channel.
5. Press ENTER to confirm or press <MODE/ESC> to return to the main menu.

Set To Slave

With this function, you can define the device as slave.

1. Access the main menu.
2. Tap the <Up/Down>button until “Set To Slave” is displayed.
3. Press ENTER, the display will show “Set To Slave” .
4. Tap the <Up/Down>button, the display will show “Slave1”, ”Slave2”, ”Slave3”.
5. Press ENTER to confirm or press <MODE/ESC> to return to the main menu.

Auto Program

With this function, you can run the internal program. You can select the desired program under “**Select program**”. You can set the number of steps under “**Edit program**”. You can edit the individual scenes under “**Edit scenes**”. With this function, you can run the individual scenes either automatically, i.e. with the adjusted Step-Time.

1. Access the main menu.
2. Tap the <Up/Down>button until “Auto Program” is displayed.
3. Press ENTER, the display will show “Auto Program” .
4. Tap the <Up/Down>button, the display will show “Master1”, ”Alone”.
5. Press ENTER to confirm or press <MODE/ESC> to return to the main menu.

9.3.12. ResetDefault

With this function, you can select restore factory set for ON or OFF, the default is OFF.

1. Access the main menu.
2. Press <Up/Down>, the display will show “ResetDefault” .
3. Press< ENTER>, the display will show “ResetDefault” .
4. The display show “OFF” ,Press <Up/Down>, the display will show “ON”.
5. Press <ENTER> to confirm or press <MODE/ESC> to return to the main menu.

9.4. Info

9.4.1. Time info.

Current Time

With this function, you can display the temporary running time of the device from the last power on. The display shows “XXXX”, “XXXX” stands for the number of hours. The counter is resetted after turning the device off.

1. Access the main menu.
2. the display will show “Time Information” .
3. Press <Up/Down>, the display will show “Current Time” .
4. Press< ENTER>, the display will show “Current Time” .
5. The display will show “XXXX” (Hours) ;
6. Press <ENTER> to confirm or press <MODE/ESC> to return to the main menu.

Ttl Life Hrs

With this function, you can display the running time of the device. The display shows “XXXX”, “XXXX” stands for the number of hours.

1. Access the main menu.
2. Press <Up/Down>, the display will show “Ttl Life Hrs” .
3. Press< ENTER>, the display will show “Ttl Life Hrs” .
4. The display will show “XXXX” (Hours) ;
5. Press <ENTER> to confirm or press <MODE/ESC> to return to the main menu.

Last Run Hrs

With this function, you can display last the running time of the lamp. The display shows “XXXX”, “XXXX” stands for the number of hours

1. Access the main menu.
2. Press <Up/Down>, the display will show “Last Run Hrs” .
3. Press< ENTER>, the display will show “Last Run Hrs” .
4. The display will show “XXXX” (Hours) ;
5. Press <ENTER> to confirm or press <MODE/ESC> to return to the main menu.

Timer PIN

With this function, you can display the timer password.

1. Access the main menu.
2. Press <Up/Down>, the display will show “Timer PIN” .
3. Press< ENTER>, the display will show “Timer PIN” . The time password is 038.
4. Press <ENTER> to confirm or press <MODE/ESC> to return to the main menu.

Clr Last Run

With this function, you can clear last run time of the fixture. The display shows “ON” or

“OFF”, Press “Enter” to confirm.

1. Access the main menu.
2. Press <Up/Down>, the display will show “Clr Last Run” .
3. At “Timer PIN” menu input right password, Press< ENTER>, the display will show “Clr Last Run” .
4. The display show “OFF” ,Press <Up/Down>, the display will show “ON” .
5. Press <ENTER> to confirm or press <MODE/ESC> to return to the main menu.

9.4.2. Temp. Info

Head Temp.

With this function you can display the temperature on the display board of the base (near CMY-filter) in Celsius.

1. Access the main menu.
2. Press <Up/Down>, the display will show “Head Temp.” .
3. Press< ENTER>, the display will show “Head Temp.” .
4. The display show “XXX ° C/ ° F”.
5. Press <ENTER> to confirm or press <MODE/ESC> to return to the main menu.

9.4.3. Software ver

With this function, you can display the software version of the device.

1. Access the main menu.
2. Press <Up/Down>, the display will show “Software ver” .
3. Press< ENTER>, the display will show “Software ver” .
4. The display show “Ver x.x”.
5. Press <ENTER> to confirm or press <MODE/ESC> to return to the main menu.

9.4.4. Network

1. Access the main menu.
2. Press <Up/Down>, the display will show “Network” .
3. At “Timer PIN” menu input right password, Press< ENTER>, the display will show “Network” .
4. The display show “IP”, Press <Up/Down>, the display will show “Mask”, “Mac”.
5. Press <ENTER> to confirm or press <MODE/ESC> to return to the main menu.

9.5. Test

9.5.1. Home

With this function you can reset the device via the Control Board. You can select the different reset functions by turning the encoder.

1. Access the main menu.
2. The display show “All” , Press <Up/Down>, the display will show “All”, “Pan&Tilt” .
3. Press <ENTER> to confirm or press <MODE/ESC> to return to the main menu.

9.5.2. Test Channel

With this function you can test each channel on its (correct) function.

1. Access the main menu.
2. Press <Up/Down>, the display will show “Test Channel” .
3. Press< ENTER>, the display will show “Test Channel” .
4. The display show “Pan Moving” frist channel, Press <Up/Down>, can choose other

channel.

5. Press <ENTER> to confirm or press <MODE/ESC> to return to the main menu.

9.5.3. Manual Ctrl.

With this function, you can adjust the lamp more easily. All effects will be canceled, the shutter opens and the dimmer intensity will be set to 100 %. With the individual functions, you can focus the light on a flat surface (wall) and perform the fine lamp adjustment.

1. Access the main menu.
2. Press <Up/Down>, the display will show “Manual Ctrl.” .
3. Press< ENTER>, the display will show “Manual Ctrl.” .
4. The display show “PAN=XXX” .
5. Press <ENTER> to confirm or press <MODE/ESC> to return to the main menu.

9.5.4. Calibration

With this function, you can calibrate and adjust the effect wheels to their correct positions. The password of calibrate values is 050.

1. Access the main menu.
2. Press <Up/Down>, the display will show “Calibration” .
3. Press< ENTER>, the display will show “Calibration” .
4. The display show “Password=XXXX” .
5. Press <ENTER> to confirm or press <MODE/ESC> to return to the main menu.

9.6. Preset

1. Tap <MODE/ESC> button, access the main menu, Tap the <Up/Down> button until “Preset” is displayed. Press ENTER, the display will show “Preset”.
2. The display show “Select programs”, Press <Up/Down>, the display will show “Edit Program”, “Edit Scenes” , “Rec. Controller”.
3. Press <ENTER> to confirm or press <MODE/ESC> to return to the main menu.

Run the auto program: A master fixture can output to three different program signals to the slave fixture to operate. It means the host will send cyclically in the following orders (The host will keep operating the program of Part 1) Then the slave fixture will make the selectively receiving according to its own set.



1. If the slave fixture chooses Run For Slave 1 from the menu of 1-3, then it will receive the part 1's automatic program from link, in the same way, when the slave fixture chooses Run For Slave 2, then it will receive the part 2's automatic program from link.
2. Enter the menu of 1-3 Function Mode---Set To Slave, Here to set machine operate which part of the program during the host-slave connection
3. Enter the menu of 1-4, 1-5 Function Mode---Set To Master
4. Enter the menu of 8-1 Edit Program---Auto Program Part1. The host outputs three groups driven program---Part1, Part2, Part3 (Part1 program runs the same effect as the host)
5. Enter the menu of 8-2 Edit Program---Edit Program. Edit the program's connection, connect the scene in order
6. The editor of the scene, there are as many as 250 scenario editors, and every scene can

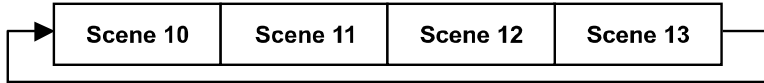
have a program connection of 10.

Note:

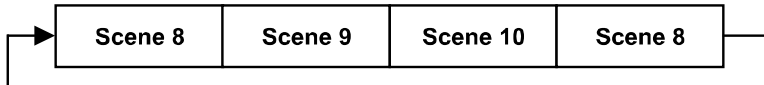
Part 2, Part 3 repeat in accordance with the Part1's repeat. For example: When Part 1 uses Program 2, Part 2 uses Program 4, Part 3 uses Program 6, Assume: Program 2 includes scene of 10, 11, 12, 13; Program 4 includes scene of 8, 9, 10; Program 6 includes scene of 12, 13, 14, 15; Then it will run as below.

Example:

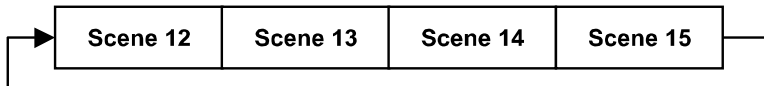
Part 1:



Part 2:



Part 3:



10. DMX PROTOCOL

DMX channel's functions and their values (46DMX channels):				
Mode/Channel			Value	Function
St	Ba	Ex		
1	1	1		PAN Movement 8bit :
			0-255	Pan Movement
2		2		Pan Fine 16bit
			0-255	Fine control of Pan movement
3	2	3		TILT Movement 8bit :
			0-255	Tilt Movement
4		4		Tilt Fine 16bit
			0-255	Fine control of Tilt movement
5	3	5		Speed Pan/Tilt movement:
			0-225	max to min speed
			226-235	blackout by movement
6	4	6		Pan Motor continuous rotation
			0-127	no function
			128-189	Forwards Pan rotation from fast to slow
			190-193	No rotation
7	5	7		Backwards Pan rotation from slow to fast
			194-255	
7	5	7		Tilt Motor continuous rotation

			0-127	no function
			128-189	Forwards Tilt rotation from fast to slow
			190-193	No rotation
			194-255	Backwards Tilt rotation from slow to fast
8	6			Red LED -all arrays :
			0-255	Red (0-Black , 255-100% Red)
9	7			Green LED-all arrays :
			0-255	Green (0-Black , 255-100% Green)
10	8			Blue LED -all arrays :
			0-255	Blue (0-Black , 255-100% Blue)
11	9			White LED -all arrays :
			0-255	White (0-Black , 255-100% White)
		19		Red LED -array 1 :
			0-255	Red (0-Black , 255-100% Red)
		20		Green LED-array 1 :
			0-255	Green (0-Black , 255-100% Green)
		21		Blue LED -array 1 :
			0-255	Blue (0-Black , 255-100% Blue)
		22		White LED -array 1 :
			0-255	White (0-Black , 255-100% White)
		23		Red LED -array 2 :
			0-255	Red (0-Black , 255-100% Red)
		24		Green LED-array 2 :
			0-255	Green (0-Black , 255-100% Green)
		25		Blue LED -array 2 :
			0-255	Blue (0-Black , 255-100% Blue)
		26		White LED -array 2 :
			0-255	White (0-Black , 255-100% White)
			◦ ◦ ◦ ◦ ◦ ◦	—
		43		Red LED -array 7 :
			0-255	Red (0-Black , 255-100% Red)
		44		Green LED-array 7 :
			0-255	Green (0-Black , 255-100% Green)
		45		Blue LED -array 7 :
			0-255	Blue (0-Black , 255-100% Blue)
		46		White LED -array 7 :
			0-255	White (0-Black , 255-100% White)
12	10	8		Shutter, strobe:
			0-31	Led trun off
			32-63	Led turn on
			64-95	Strobe effect slow to fast
			96-127	Led turn on

			128-159	Pulse-effect in sequences
			160-191	Led turn on
			192-223	Random strobe effect slow to fast
			224-255	Led turn on
13	11	9		<u>Dimmer intensity:</u>
			0-255	Intensity 0 to 100%
14	12	10		<u>Color Macro:</u>
			0-7	No function
			8-39	from RED to YELLOW
			40-71	from YELLOW to GREEN
			72-103	from GREEN to CYAN
			104-135	from CYAN to BLUE
			136-167	from BLUE to MAGENTA
			168-199	from MAGENTA to RED
			200-231	from RED to WHITE
			232-255	Crossfading colours from slow to fast
15	13	11		<u>Color Presets:</u>
			0-4	No function
			5--9	White2700k
			10--14	White3200k
			15-19	White4200k
			20-24	White5600k
			25-29	White6500k
			30-34	White8000k
			35-39	Yellow
			40-44	Magenta
			45-49	Cyan
			50-54	Salmon
			55-59	Turquoise
			60-64	Light Green
			65-69	Steel Blue
			70-74	Orange
			75-79	Straw
			80-84	Pale Lavander
			85-89	Pink
			90-94	Red
			95-99	Green
			100-104	Blue
			105-109	Rainbow1
			110-114	Rainbow2
			115-119	Rainbow3
			120-124	Rainbow4
			125-129	Rainbow5

			130-134	Rainbow6
			135-139	Rainbow7
			140-144	Rainbow8
			145-149	Rainbow9
			150-154	Rainbow10
			155-159	Rainbow11
			160-164	Rainbow12
			165-169	Rainbow13
			170-174	Rainbow14
			175-179	Rainbow15
			180-184	Rainbow16
			185-189	Rainbow17
			190-194	Rainbow18
			195-199	Rainbow19
			200-255	Reserved
16	14	12		<u>Color Presets Dimmer:</u>
			0-255	Dimmer 0% to 100%
				<u>Chase Patterns:</u>
			1--14	Led trun off
			15-30	Chase 1
			31-46	Chase 2
			47-62	Chase 3
			63-78	Chase 4
			79-94	Chase 5
			95-110	Chase 6
17	15	13	111-126	Chase 7
			127-142	Chase 8
			143-158	Chase 9
			159-174	Chase 10
			175-190	Chase 11
			191-206	Chase 12
			207-222	Chase 13
			223-238	Chase 14
			239-255	Chase 15
				<u>Chase Speed:</u>
18	16	14	0-125	Fast to Slow Backward
			126-130	Stop(Speed=0)
			131-255	Slow to Fast Forward
				<u>Chase Fade:</u>
19	17	15	0-255	Fade Chase
				<u>Zoom :</u>
20	18	16	0-255	Zoom adjustment from 15 to 60
21		17		<u>Zoom Fine :</u>

			0-255	Fine control for Zoom adjustment
				Reset, internal programs:
			0-79	Normal
			80-84	All motor reset
			85-87	Scan motor reset
			88-90	no function
			91-93	no function
			94-96	no function
			97-99	Others motor reset
22	19	18	100-119	Internal program 1 (secne1~8 of EEPROM)
			120-139	Internal program 2 (secne9~16 of EEPROM)
			140-159	Internal program 3 (secne17~24 of EEPROM)
			160-179	Internal program 4 (secne25~32 of EEPROM)
			180-199	Internal program 5 (secne33~40 of EEPROM)
			200-219	Internal program 6 (secne41~48 of EEPROM)
			220-239	Internal program 7 (secne49~56 of EEPROM)
			240-255	Reserved

11. ERROR MESSAGES

When you turn on the device, it will first perform a reset. The display may show "Err channel is XX" should there be problems with one or more functions. "XX" stands for channel 1, 2, 3, 4, 5, 6 etc whose sensor has encountered a problem. For example, when the display shows "Err channel is Pan movement", it means there is an error on channel 1. If there are errors on channel 1, channel 3, channel 12 at the same time, you may see the error message, "Err channel is Pan movement", "Err channel is Tilt movement" "Err channel is Shutter", flash twice, and then the device will generate a second reset. If the error messages persist after performing a reset more than twice, the channels which have errors may not work properly however, all other functions can work as usual. Please contact your dealer or manufacturer for service. Self repair is not allowed.

PAN- movement Er

(PAN- yoke movement error) This message will appear after the reset of the fixture if the yoke's magnetic-indexing circuit malfunction (Optical Sensor or Magnetic Sensor fails) or the stepper motor is defective (or its driving IC on the main PCB). The PAN- movement is not located in the default position after the reset.

TILT- movement Er

(TILT- head movement error) This message will appear after the reset of the fixture if the head's magnetic-indexing circuit malfunctions ((Optical Sensor or Magnetic Sensor fails)) or the stepper motor is defective (or its driving IC on the main PCB). The TILT- movement is not located in the default position after the reset.

12. CLEANING AND MAINTENANCE

The following points have to be considered during inspection:

- 1) All screws for installing the devices or parts of the device have to be tightly connected and

must not be corroded.

2) There must not be any deformations to the housing, lenses, rigging and installation points (ceiling, suspension, trussing).

3) Motorized parts must not show any signs of wear and must move smoothly without issue.

4) The power supply cables must not show any damage, material fatigue or sediment.

Further instructions depending on the installation location and usage have to be adhered to by a qualified installer and any safety concerns have to be removed.



CAUTION!

Disconnect from mains before starting maintenance operation.

In order to ensure the device remains in good condition and does not fail prematurely, we suggest regular maintenance.

- 1) Clean the inside and outside lens each week to avoid loss of output due to accumulation of dust/ dirt on the lens.
- 2) Clean the fans each week to ensure maximum airflow and efficient thermal cooling. This will ensure the light source is operated in the best possible condition.
- 3) A detailed electrical check by an approved electrician every quarter to make sure that the circuit contacts are in good condition. This will prevent poor circuit contacts and the resultant overheating.

We recommend frequent cleaning of the device. Please use a moist, lint- free cloth. Never use alcohol or solvents.

Please refer to the instructions under “Installation instructions”.

Should you need any spare parts, please order genuine parts from your local dealer.

Remark: Errors and omissions for all information given in this manual are excepted. All information is subject to change without prior notice.