



magicburst

USER MANUAL V.1

ENGLISH VERSION
08 2016



AYRTON

Digital Lighting

SUMMARY

4	Introduction
4	Safety instructions
4	Conditions of use
5	Presentation and features
6	Dimensions
6	Description
7	Installation instructions
7	Installation method using truss hooks
7	DMX512 connection
8	Control Panel
8	MagicBlade R control panel menu - Option details
12	Master/Slave Mode settings
13	DMX Chart
14	Error Messages
14	Care and maintenance
14	Technical Specifications
15	Warranty

INTRODUCTION

Thank you for selecting the AYRTON MAGICBURST luminaire.

WARNING !

This product is not suitable for household use.

You now own a professional lighting unit that offers endless possibilities. Before installing, make sure that no damage was done to your luminaire during transport. If this is the case, do not use the product and immediately contact your authorized AYRTON dealer.

For your own safety and that of others, please read this instruction manual carefully before installing the unit.

Anyone involved in installing, operating or servicing the MAGICBURST must:

- Be a qualified, authorized professional
- Strictly follow the instructions in this user manual.

Please take the time to read this manual carefully and thoroughly before installing and operating the luminaire. You should have a good knowledge of its operating conditions and all pertinent product information.

After you have become familiar with this manual, we recommend that you keep a copy for future use. All the information found in this manual is subject to change without notice. AYRTON reserves the right to modify and upgrade its range of products, with no obligation to integrate these changes into products already sold.

SAFETY INSTRUCTIONS

Please read the safety instructions and warnings in this manual carefully before installing and operating the MAGICBURST.

WARNING!

Risk of electric shock.

Use caution when handling. This luminaire requires high voltage, which can result in electric shock.

The MAGICBURST left our factory in perfect working condition. However, if you notice a defect, immediately contact your authorized AYRTON dealer before use. The manufacturer cannot be held responsible for damages caused by a failure to follow the safety, installation or assembly instructions contained herein, or by any modification made to the luminaire.

Failure to observe the safety, installation or assembly instructions contained herein, or any modification made to the MAGICBURST luminaire will render the warranty null and void.

Check that the supply voltage does not exceed the maximum authorized limit. Check that your electrical installation complies with current standards.

In all cases, make sure that the power cables attached to your MAGICBURST have not been damaged due to cuts and splices or crushed in any way.

Handle these cables with extreme caution while they are connected to a power source.

Your MAGICBURST conforms to Class 1 safety standards. The unit must be grounded electrically. Make sure that the power source connected to your MAGICBURST is switched off before attempting any work on it.

Installation and connection to an electrical source must be performed by an authorized installer. AYRTON declines all responsibility should this luminaire be installed by an unqualified person.

Never disconnect your MAGICBURST by pulling on the power cable! First unlock the connector lock ring on the power cable until it is fully disengaged, and then gently pull on the connector to disconnect the cable.

Do not connect or disconnect the power cable of your MAGICBURST with wet hands.

At first use, your MAGICBURST may give off an odor. This is a normal occurrence that should dissipate after a few minutes of operation.

WARNING!

Do not connect or disconnect the power cable at your MAGICBURST if the cable is energized! This could cause arcing and damage your MAGICBURST, requiring repair.

Be careful to power off your MAGICBURST by removing the power plug from the source, before connecting or disconnecting the luminaire.

WARNING!

This unit contains Class 2 LED emitter (EN60625-1): 1994)

This luminaire uses high-power (Class 2) LED-type (Light Emitting Diode) lamps. Never look directly into the lamps if lit or stand directly in line with the luminaire if close by.

Installation, removal or replacement of the unit must be performed with power off to prevent any risk of glare and eye injury.

WARNING!

The fixture quickly becomes very hot during operation.

To avoid risk of burn, never handle or adjust the luminaire while it is energized and after it has been lit for more than 10 consecutive minutes. Some parts of the luminaire can reach a high temperature, particularly the body/radiator. Turn off the luminaire and wait for it to cool before handling.

CONDITIONS OF USE

Your MAGICBURST is a moving-head luminaire equipped with multiple LEDs intended for professional use (e.g., architectural, stage, television, theater, or museum lighting).

The MAGICBURST luminaire has an IP20 protection rating. It is intended strictly for indoor use. It must never be partially or fully submerged, even temporarily.

Condensation may form on your MAGICBURST in the following cases:

- Immediately after turning on the heating
- In places with fog or a high level of humidity
- When the luminaire is suddenly moved from a cold to a warm environment, or vice versa.

In such cases, you must wait until the luminaire readjusts to the ambient temperature of the room where it will be installed for operation.

Do not shake the MAGICBURST while installing or handling.

Do not pull the MAGICBURST by one of its cables to move it. Lift the luminaire by its handles.

Choosing the appropriate place to install the MAGICBURST is essential. The following points should be observed:

- Do not expose it to a heat source.
- Do not install it near flammable materials.
- Be sure that dust or miscellaneous debris cannot clump around the body of the luminaire as this may interfere with its optimal cooling and proper operation.
- The MAGICBURST must be installed out of reach of the public and all persons not authorized to operate the luminaire.

Due to the nature of its cooling principle, you should never prevent air from circulating around the body of the luminaire. You must provide a minimum clearance around your MAGICBURST to allow for cooling.

The MAGICBURST can be installed in a ground pit or any other confined enclosure only under certain conditions. With this kind of installation, a system of forced ventilation should be used up to allow air to circulate freely around the luminaire(s). The air must be constantly renewed because the luminaire cannot be operated in closed system. Failure to comply with these requirements may destroy or prematurely wear the MAGICBURST, and AYRTON cannot be held responsible. Please consult your AYRTON dealer for more information on this type of installation.

No load should be placed on the MAGICBURST. The fixture must not be installed in such a way as to allow a person, vehicle or any object to run over or park on it.

Never lay or drop any hard, heavy, or blunt, objects on the MAGICBURST. This includes items made of glass or porcelain (e.g., bottles, dishware, or glass beads). The luminaire is made of materials such as plastic and extruded aluminum, making it resistant but not unbreakable. Objects made of hard materials such as steel or glass that fall on the unit may cause breakage of the plastic parts or the body. AYRTON cannot be held responsible for the luminaire's broken plastic parts or body, which are not covered under warranty.

The temperature of the room where the MAGICBURST is installed must never exceed 45°C (Ta = 45°C).

The MAGICBURST luminaire requires a 100-240 VAC supply voltage. Check that your luminaires have been installed for an application that is compatible with this information.

Check that the brackets on which you hang or attach your MAGICBURST can sustain the weight of the luminaire (19 kg), taking into consideration all necessary safety factors.

Do not use your MAGICBURST before being familiar with these recommendations and do not allow unqualified personnel to handle the product.

To transport your MAGICBURST, we strongly recommend that you use the complete original packaging, including the dense protective foam inserts.

If your MAGICBURST is not being used for a long period, you should disconnect the luminaire from the power source.

Never dispose of the MAGICBURST in a rubbish bin. Ensure that it is recycled. Please consult the current legislation in your country on recycling electronic equipment.

PRESENTATION AND FEATURES

MAGICBURST is a non-waterproof moving head wash light (IP20 protection rating) using the latest generation of high-performance of LED-type lamps.

This luminaire can be controlled remotely by an external DMX512 signal.

The MAGICBURST incorporates high power white LEDs.

The MAGICBURST has a total of 3840 LEDs that can be controlled by 64 independent zones. The luminaire requires from 11 to 203 DMX channels to be controlled via an external command system that sends a DMX512 signal (see below for details).

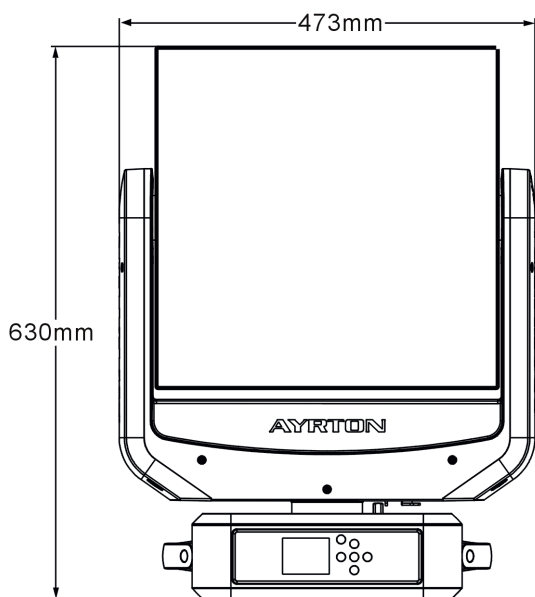
To adjust the settings on the MAGICBURST (i.e., DMX address, DMX operating mode and other options), a Remote Device Management (RDM)-type DMX controller may be required. The DMX RDM protocol is a universal, widely used standard.

There are a multitude of RDM DMX controllers on the market from different manufacturers (excluding AYRTON). It is worth noting that an RDM DMX controller is not required to change the settings on the MAGICBURST. A light console or any standard DMX-type controller is sufficient.

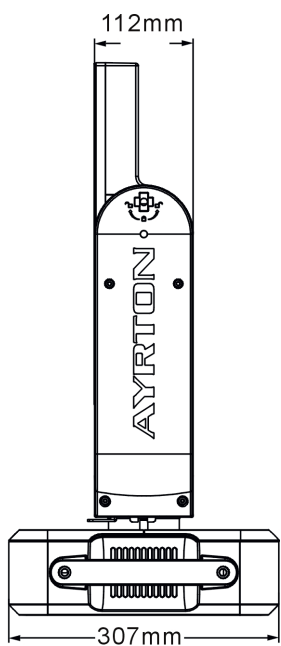
The MAGICBURST consists of a metal frame and plastic covers. The power connectors and DMX512 signal connectors are on the back of the fixture's base.

DIMENSIONS

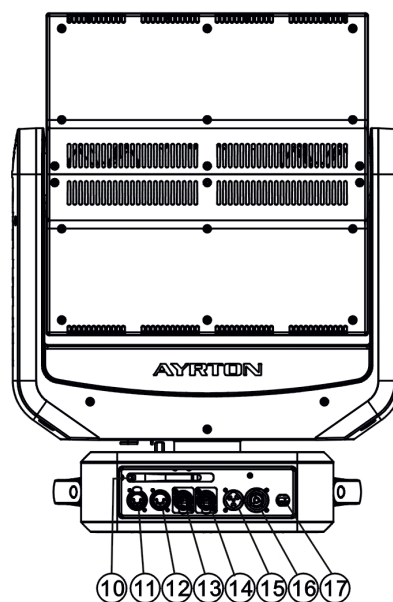
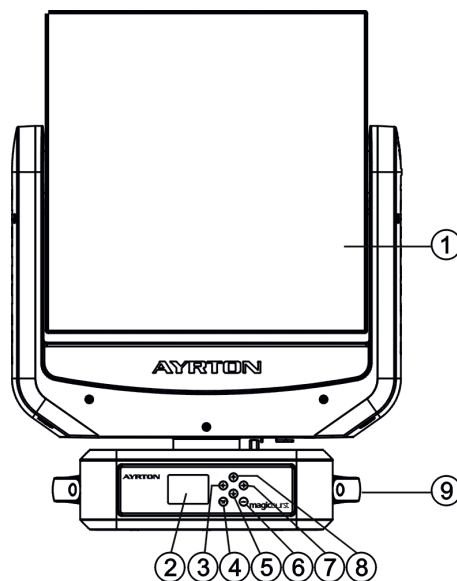
Front view



Side view



DESCRIPTION



1. LED Assembly
2. Display
3. Left-button
4. Mode/Esc-button
5. Down-button
6. ENTER-button
7. Right-button
8. Up-button
9. Handle
10. Antenna – Wireless DMX
11. DMX Out 5-Pin
12. DMX In 5-Pin
13. RJ45 Out
14. RJ45 In
15. Power Out
16. Power In
17. Fuse

INSTALLATION INSTRUCTIONS

During installation please observe the instructions according to GB7000.15 / EN60598-2-17 standards and other national standards applicable. This luminaire should be installed by a qualified technician.

The fixture should be used in an environment with a temperature between -10°C and +45°C. Do not operate the luminaire outside this temperature range.

The luminaire must be hung so that the weight of this unit multiplied by 10 can be sustained for 1 hour without causing the suspension system or the supporting structure to be deformed.

The installation must always be secured at a second attach point, e.g., by a safety cable of the appropriate size. Do not stand under the luminaire while it is being installed, dismantled or serviced.

The operator must ensure that a qualified technician has approved the installation of the luminaire for safety before it is first operated.

Installation should be inspected once a year by a qualified technician.

WARNING!

The installation of this luminaire must be validated by a qualified technician before it is used for the first time.

The luminaire should be installed in a location where the public cannot touch, walk or sit on the luminaire.

Suspending the luminaire and/or installing it high up requires considerable experience, e.g., calculating load, selecting and adapting quality fastening materials, and periodically inspecting the entire installation. Without this skill and knowledge, do not attempt to install this unit by yourself. Improper installation may cause an accident resulting in personal injury or death.

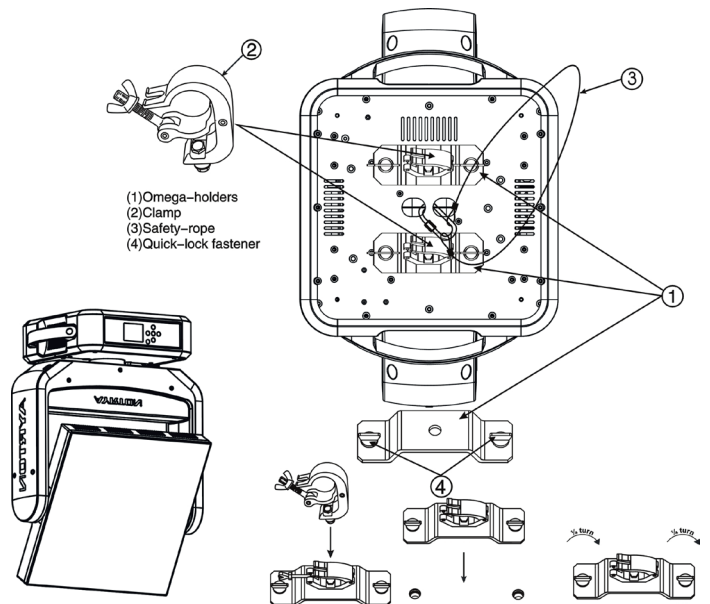
WARNING!

The luminaire should be connected to an electrical source by a qualified electrician.

Before installing the luminaire make sure that the selected installation spot can support at least 10 times the weight of the unit. Connect the luminaire to the power source by the power cord.

INSTALLATION METHOD USING TRUSS HOOKS

Refer to the following diagram when installing the MAGICBURST with truss hooks using omega bracket:



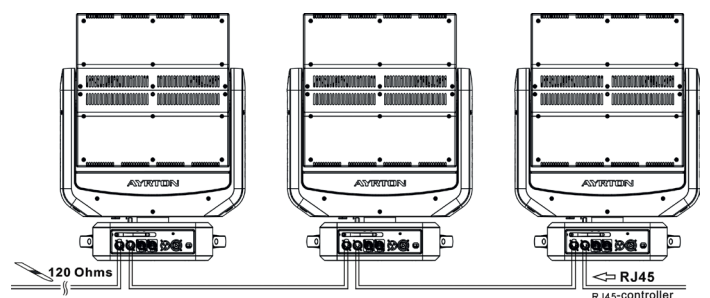
- Attach the clamp to the omega bracket using an M12 screw.
- Insert the quick-lock fasteners of the 2 omegas bracket into the respective holes on the base of the unit. Turn the quick fasteners fully clockwise.
- Insert the safety cable through the holes at the bottom of the base and the truss or a stable attachment point. Insert the end into the hole and tighten the safety screw.

Note: The last step is very important to ensure that the luminaire does not fall.

DMX512 CONNECTION

Connect the DMX input (XLR connector) cable of the luminaire to the DMX output (female XLR connector) of your controller. You can connect multiple luminaires to this same DMX line in a daisy chain. The DMX cable must be a shielded twisted pair that is equipped with male and female XLR connectors.

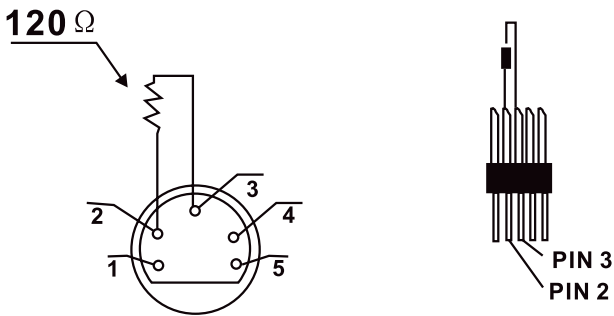
Refer to the following diagram when connecting the MAGICBURST luminaires in a daisy chain:



DMX512 CONNECTION WITH TERMINATION PLUG

For installations where the DMX cable must extend over long distances, or if it is located near areas with major electrical disturbance, it is recommended to use a DMX termination plug. This helps prevent luminaires from malfunctioning due to interference. The DMX termination plug, composed simply of a male XLR input connector with a 120-Ohm resistor, is soldered between pins 2 and 3. This plug must be connected to the DMX output of the last luminaire in the chain.

Refer to the following diagram:



USING DMX VIA ART-NET

To control the MAGICBURST via ART-NET, the fixtures must be interconnected with CAT5 RJ45 cable. Be careful to enter all necessary information into the ART-NET universe being used and specify in the menu that the MAGICBURST is being controlled through ART-NET (see OPTION DETAILS in the « OPTIONS » menu).

WARNING!

The MAGICBURST can only read the first twenty four universes of an art-net package. If you have more than 24 universes in your network, you must use a configurable switch to filter each RJ45 output

THE MAGICBURST DMX ADDRESS SETTING

All luminaires have a DMX start address correctly set when using a DMX signal to control them. The DMX start address is the channel from which the luminaire “listens” to the digital control information sent by the DMX controller.

The start address must conform to the one recorded on the DMX controller to run the luminaire. This address is the DMX value that appears on the luminaire’s display. You can set the same address for all the luminaires, or some of them, but you can also set a different address for each luminaire, as needed.

If you do set the same address for all the luminaires, they will all “listen” from the DMX channel you have set. The instructions sent by the DMX controller will affect all luminaires at the same time. If you set a different address per luminaire, the DMX controller can control each independently.

If, for instance, the fixtures are preset in 203 channels DMX mode (required for full control), you will need to adjust the DMX address for the luminaires as follows: The first unit with DMX address 001, the second with DMX address 204 (203 + 1), the third with DMX address 407 (203 + 204).

CONTROL PANEL (MENU OPTIONS)

A large number of settings are accessible from the fixture’s control panel. A good working knowledge of it will enhance the fixture’s possibilities.

You can access the Main Menu by pressing the key.

Cycling through the menus is performed by pressing the , , or keys, as required:

Press the key to select the desired menu.

Change the selection by pressing the , or , keys.

Confirm your selection by pressing the key.

Exit a menu at any time by pressing the key.


Notes:

You can return to the display by pressing the or keys from the basic display.

If the screen fails to respond, hold the “Mode Esc” key down for at least 3 seconds to free up the display. key down for at least 3 seconds to free up the display.

The fixture’s menu functions are described in the following table:

Address	Set Main Addr	A001~AXXX		DMX Main address setting	
	Set LED Addr	A001~AXXX		DMX Main address setting	
	Main Universe	XX		Main Universe setting	
	LED Universe	XX		LED Universe Setting	
Mode	User Mode	Stand Mode Basic Mode Extend Mode Extend Mode 2 universes User Mode A User Mode B User Mode C		User's mode to change channel profile	
	Edit User A...C	Max channel PAN :		Edit DMX profile User Mode A,B or C	
Options	Status	Pan Reverse Tilt Reverse Pan Degree Feedback Pan/Tilt Spd Hibernation	ON/OFF ON/OFF 630/540 ON/OFF Speed 1 ~ 4 OFF, 01min > 99min	Pan Reverse movement Tilt Reverse movement Pan Degree Select Movement Feedback Reset Pan/Tilt Stand by Mode	
	Service PIN	Service PIN RDM PID Set IP	Password=XXX xxxxxx xxx.xxx.xxx.xxx	Service Password="050" RDM PID Code IP Addr	
	Fans Control	Head Control	Auto Stage Studio	Head Fans Speed Mode Select	
	Disp.Setting	Shutoff Time Flip Display Key Lock DispFlash	02~60m 05m ON/OFF ON/OFF ON/OFF	Display shutoff time Reverse 180 degree Key Lock No Signal Flash	
	Signal Select	DMX WDMX ArtNet sACN		DMX Wireless DMX Art-Net sACN	
	Temp. C/F	Celsius Fahrenheit		Temperature switch between °C/°F	
	Initial Pos.	PAN =>XXX		Initial effect position	
	Wireless DMX	Activate WDMX Act&Data Out Rest WDMX		Activate Wireless DMX Activate & Data Out Reset Wireless DMX Mem	
	Trigger	DMX Value Disp. Set To Slave Auto Program	PAN, TILT etc. Slave1, Slave2, Slave3 Master / Alone	DMX value display Slave setting Auto program	
	ResetDefault	ON/OFF		Restore factory sett.	
	Info	Time Info.	Current Time Ttl Life Hrs Last Run Hrs Timer PIN Cir Last Run		XXXX(Hours) XXXX(Hours) XXXX(Hours) Password=XXX ON/OFF
		Temp. Info	Head Temp.		XXX °C/°F
Software Ver		V1.0...		Software version	
Network		IP, Mask, MAC		Network settings	
Test	Home	All Pan&Tilt		Reset all motors Reset Pan&Tilt	
	Test Channel	PAN		Test function	
	Manual Ctrl.	PAN =>XXX :		Fine adjustment of parameters	
	Calibration	--Password-- PAN :		Password "050" Calibrate and adjust the effects to standard/right position	
Preset	Select Prog.	Prog. Part 1 = Program 1 ~ 10 Program 1 Prog. Part 2 = Program 1 ~ 10 Program 2 Prog. Part 3 = Program 1 ~ 10 Program 3		Select programs to be run	
	Edit Prog.	Program 1 : Program 10	Program Test Step 01=SCxxx Step 64=SCxxx	Testing program Program in loop Save and exit	
	Edit Scenes	Edit Scene 001 ~ Edit Scene 250	Pan,Tilt, --Fade Time-- --Secne Time-- Input By Outside	Save and automatically return manual scenes edit	
	Scenes Input	XX~XX		Automat. scenes rec	

You can exit this menu at any time by pressing  repeatedly until you return to the home screen.

ADDRESS

SET MAIN ADDR

Allows you to change the Main (Pan, Tilt, Dimmer, . . .) DMX address from the fixture's control panel.

- ◆ Access the menu by pressing the "Mode Esc" key.
- ◆ Go to the "ADDRESS" menu and press "Enter", then find "Set Main Address."
- ◆ Use the up/down arrows to scroll through until you locate the desired address and press "Enter" to confirm.

SET LED ADDR

Allows you to change the LED (LED Panel) DMX address from the fixture's control panel.

- ◆ Access the menu by pressing the "Mode Esc" key.
- ◆ Go to the "ADDRESS" menu and press "Enter", then find "Set LED Address."

Use the up/down arrows to scroll through until you locate the desired address and press "Enter" to confirm.

MAIN UNIVERSE

Allows you to change the Main (Pan, Tilt, Dimmer, . . .) Universe address from the fixture's control panel.

- ◆ Access the menu by pressing the "Mode Esc" key.
- ◆ Go to the "ADDRESS" menu and press "Enter", then find "Main Universe."

Use the up/down arrows to scroll through until you locate the desired address and press "Enter" to confirm.

LED UNIVERSE

Allows you to change the LED (LED Panel) Universe address from the fixture's control panel.

- ◆ Access the menu by pressing the "Mode Esc" key.
- ◆ Go to the "ADDRESS" menu and press "Enter", then find "LED Universe."

Use the up/down arrows to scroll through until you locate the desired address and press "Enter" to confirm.

MODE

USERS MODE

Allows you to select the DMX mode from the following: "Basic Mode" (12 DMX channels), "Standard Mode" (14 DMX channels), "Extended Mode" (203 DMX channels), "User Mode A", "User Mode B", "User Mode C."

- ◆ Access the menu by pressing the "Mode Esc" key.
- ◆ Use the up/down arrow keys to reach the "MODE" menu and press "Enter." Then from "User Mode" choose one of the 6 modes above. Consult the "CHART DMX" table for more information on Basic, Standard and Extended Mode. "User Modes A", "B", or "C" are user-definable.

EDIT USER A, B, C

To customize the mode, go to "MODE" and select "Edit UserMode A, B or C" and press "Enter." Scroll through each setting and press "Enter" to set the desired address.

MAGICBURST CONTROL PANEL MENU – OPTION DETAILS

The following section provides details on the options that can be selected through the control panel menu. Refer to the table above.

OPTIONS

STATUS

Pan Reverse

Reverses the PAN movement.

- ◆ Access the menu by pressing the “Mode Esc” key.
- ◆ Use the up/down arrow keys to reach the “OPTION” menu and press “Enter.” Then use the left/right arrow keys to select “Status.” Finally, use the left/right arrow keys to select “Pan Reverse.”
- ◆ Scroll through the different options using the left/right arrows and press “Enter” to confirm.

Tilt Reverse

Reverses the direction of the TILT movement.

- ◆ Access the menu by pressing the “Mode Esc” key.
- ◆ Use the up/down arrow keys to reach the “OPTION” menu and press “Enter.” Then use the left/right arrow keys to select “Status.” Finally, use the left/right arrow keys to select “Tilt Reverse.”
- ◆ Scroll through the different options using the left/right arrows and press “Enter” to confirm.

Pan Degree

Adjusts the amplitude of the PAN movement at 630° or 540°.

- ◆ Access the menu by pressing the “Mode Esc” key.
- ◆ Use the up/down arrow keys to reach the “OPTION” menu and press “Enter.” Then use the left/right arrow keys to select “Status.” Finally, use the left/right arrow keys to select “Pan Degree.”
- ◆ Scroll through the different options using the left/right arrows and press “Enter” to confirm.

Tilt Degree

Adjusts the amplitude of the TILT movement at 540° or 270°.

Access the menu by pressing the “Mode Esc” key.

- ◆ Use the up/down arrow keys to reach the “OPTION” menu and press “Enter.” Then use the left/right arrow keys to select “Status.” Finally, use the left/right arrow keys to select “Tilt Degree.”
- ◆ Scroll through the different options using the left/right arrows and press “Enter” to confirm.

Feedback

Readjusts the PAN and TILT positions automatically in the event of accidental shifting due to a physical shock.

- ◆ Access the menu by pressing the “Mode Esc” key.
- ◆ Use the up/down arrow keys to reach the “OPTION” menu and press “Enter.” Then use the left/right arrow keys to select “Status.” Finally, use the left/right arrow keys to select “Feedback.”
- ◆ Scroll through the different options using the left/right arrows and press “Enter” to confirm.

Pan/Tilt Spd

You can choose between four movement speeds, from “Speed 1” to “Speed 4.” The “Speed 1” setting is the fastest.

- ◆ Access the menu by pressing the “Mode Esc” key.
- ◆ Use the up/down arrow keys to reach the “OPTION” menu and press “Enter.” Then use the left/right arrow keys to select “Status.” Finally, use the left/right arrow keys to select “Pan/Tilt Spd.”
- ◆ Scroll through the different options using the left/right arrows and press “Enter” to confirm.

Hibernation — Standby mode

The LEDs and the pan/tilt motors will be powered down if the luminaire receives no DMX signal for 15 minutes (default setting). If the DMX signal

is restored after this time limit, the luminaire will perform a RESET before resuming normal operation.

- ◆ Access the menu by pressing the “Mode Esc” key.
- ◆ Use the up/down arrow keys to reach the “OPTION” menu and press “Enter.” Then use the left/right arrow keys to select “Status.” Finally, use the left/right arrow keys to select “Hibernation.”
- ◆ Scroll through the different options using the left/right arrows and press “Enter” to confirm.

SERVICE PIN

WARNING! For normal operation the “Service pin” menu information should not be changed. Contact your dealer for more information.

Service PIN

Allows you to enter a password to access the advanced options such as RDM PID, Set IP, Set Device IP, Set LED BIN and Change to bin (pwd: 50).

- ◆ Access the menu by pressing the “Mode Esc” key.
- ◆ Use the up/down arrow keys to reach the “OPTION” menu and press “Enter.” Finally, use the left/right arrow keys to select “Service Pin.”
- ◆ Scroll up to “50” using the left/right arrows and press “Enter” to confirm.

RDM PID

Allows you to set the fixture’s RDM PID code.

- ◆ Access the menu by pressing the “Mode Esc” key.
- ◆ Use the up/down arrow keys to access the “OPTION” menu and press “Enter.” Then use the left/right arrow keys to select “Service Pin.” Finally, use the left/right arrow keys to select “RDM PID.”
- ◆ Use the up/down arrow keys to change the value and left/right to move from one number to the next. Press “Enter” to confirm.

Set IP

Allows you to set the fixture’s IP address.

- ◆ Access the menu by pressing the “Mode Esc” key.
- ◆ Use the up/down arrow keys to access the “OPTION” menu and press “Enter.” Then use the left/right arrow keys to select “Service Pin.” Finally, use the left/right arrow keys to select “set IP.”
- ◆ Use the up/down arrow keys to change the value and left/right to move from one number to the next. Press “Enter” to confirm.

FAN CONTROL

Fans Control

Allows you to choose the fan speed on the fixture head. The options are AUTO, STAGE or STUDIO.

- ◆ Access the menu by pressing the “Mode Esc” key.
- ◆ Use the up/down arrow keys to reach the “OPTION” menu and press “Enter.” Then use the left/right arrow keys to select “Fan Control.”
- ◆ Use the left/right arrow keys to select the fan option. Press “Enter” to confirm.

DISP.SETTING

Shut off Time

Allows the fixture’s LCD display to be turned off after a period of 2 to 59 minutes.

- ◆ Access the menu by pressing the “Mode Esc” key.
- ◆ Use the up/down arrow keys to reach the “OPTION” menu and press “Enter.” Then use the left/right arrow keys to select “Disp.Setting.” Finally, use the left/right arrow keys to select “Shut off Time.”
- ◆ Use the left/right arrow keys to change the value displayed. Press “Enter” to confirm.

Flip Display

Allows you to rotate the display by 180°. This can be highly useful when the fixture is installed with the head facing down.

- ◆ Access the menu by pressing the “Mode Esc” key.
- ◆ Use the up/down arrow keys to reach the “OPTION” menu and press “Enter.” Then use the left/right arrow keys to select “Disp. Setting.” Finally, use the left/right arrow keys to select “Flip Display.”
- ◆ Use the left/right arrow keys to select ON or OFF. Press “Enter” to confirm.

Key Lock

Activates the automatic keypad lock. If this function is enabled, the keys will be automatically locked 15 seconds after exiting edit mode. Hold the MENU key down for 3 seconds to deactivate this function.

- ◆ Access the menu by pressing the “Mode Esc” key.
- ◆ Use the up/down arrow keys to reach the “OPTION” menu and press “Enter.” Then use the left/right arrow keys to select “Disp. Setting.” Finally, use the left/right arrow keys to select “Key Lock.”
- ◆ Use the left/right arrow keys to select ON or OFF. Press “Enter” to confirm.

DispFlash

Causes the display to flash as a warning that there is no DMX signal.

- ◆ Access the menu by pressing the “Mode Esc” key.
- ◆ Use the up/down arrow keys to reach the “OPTION” menu and press “Enter.” Then use the left/right arrow keys to access the “Disp. Setting” submenu. Finally, use the left/right arrow keys to select “DispFlash.”
- ◆ Use the left/right arrow keys to select ON or OFF. Press “Enter” to confirm.

SIGNAL SELECT

Signal Select

This menu allows you to choose what type of signal is used to control the fixture (DMX, Art-Net or WDMX).

- ◆ Access the menu by pressing the “Mode Esc” key.
- ◆ Use the up/down arrow keys to reach the “OPTION” menu and press “Enter.” Then use the left/right arrow keys to select “Signal Select” submenu.

Use the left/right arrow keys to select the signal type used. Press “Enter” to confirm

TEMP. C/F

Allows you to select the unit of measurement for the temperature values, in either Celsius or Fahrenheit.

- ◆ Access the menu by pressing the “Mode Esc” key.
- ◆ Use the up/down arrow keys to reach the “OPTION” menu and press “Enter.” Then use the left/right arrow keys to access the “Temp. C/F” submenu.
- ◆ Use the left/right arrow keys to select the unit of measurement. Press “Enter” to confirm.

INITIAL POS.

Controls the initial position of the fixture’s effects.

- ◆ Access the menu by pressing the “Mode Esc” key.
- ◆ Use the up/down arrow keys to reach the “OPTION” menu and press “Enter.” Then use the left/right arrow keys to access the “Initial Pos” submenu.
- ◆ Use the left/right arrow keys to select the desired setting, press “Enter”, and use the left/right arrow keys to change the value. Press “Enter” to confirm.

WIRELESS DMX

This menu allows you to Activate WDMX, Activate WDMX & resend DMX or “reset” wireless pairing.

- ◆ Access the menu by pressing the “Mode Esc” key.
- ◆ Use the up/down arrow keys to reach the “OPTION” menu and press

“Enter.” Then use the left/right arrow keys to access the “Wireless DMX” submenu.

- ◆ Use the left/right arrow keys to activate the setting. Press “Enter” to confirm.

TRIGGER

DMX Value Disp.

Allows you to view the DMX value received for each setting. The “ALL” option will display only the setting being edited.

- ◆ Access the menu by pressing the “Mode Esc” key.
- ◆ Use the up/down arrow keys to reach the “OPTION” menu and press “Enter.” Then use the left/right arrow keys to access the “Trigger” submenu. Use the right/left arrow keys to select “DMX value Disp.”
- ◆ Use the left/right arrow keys to select which setting to display. Press “Enter” to confirm.

Set To Slave

Sets the fixture to SLAVE Mode for receiving instructions from a master luminaire see Master/Save mode settings, below

- ◆ Access the menu by pressing the “Mode Esc” key.
- ◆ Use the up/down arrow keys to reach the “OPTION” menu and press “Enter.” Then use the left/right arrow keys to access the “Trigger” submenu. Use the right/left arrow keys to select “Set To Slave.”
- ◆ Use the right/left arrow keys to define whether the fixture is Slave 1, Slave 2 or Slave 3, accordingly. Press “Enter” to confirm.

Auto Program

Allows you to run an internal program (a sequence of scenes) by selecting whether the fixture is operating alone or as a master.

- ◆ Access the menu by pressing the “Mode Esc” key.
- ◆ Use the up/down arrow keys to reach the “OPTION” menu and press “Enter.” Then use the left/right arrow keys to access the “Trigger” submenu. Use the right/left arrow keys to select “Auto Program.”
- ◆ Use the right/left arrow keys to select whether the fixture is “Alone” or “Master.” Press “Enter” to confirm.

Note: See “AUTO” menu to create internal programs.

RESETDEFAULT

Restores the factory default settings on the fixture.

- ◆ Access the menu by pressing the “Mode Esc” key.
- ◆ Use the up/down arrow keys to reach the “OPTION” menu and press “Enter.” Then use the left/right arrow keys to access the “ResetDefault” submenu.
- ◆ Use the right/left arrow keys to select ON to perform a reset to defaults. Press “Enter” to confirm.

INFO

TIME INFO.

Current Time

Shows the number of hours the fixture has been operating since it was powered on.

- ◆ Access the menu by pressing the “Mode Esc” key.
- ◆ Use the up/down arrow keys to reach the “INFO” menu and press “Enter.” Then use the left/right arrow keys to access the “Time Info” submenu.
- ◆ Use the left/right arrow keys to select “Current Time”, and press “Enter” to display the value.

Ttl Life Hrs

Shows the fixture’s total number of hours of operation.

- ◆ Access the menu by pressing the “Mode Esc” key.
- ◆ Use the up/down arrow keys to reach the “INFO” menu and press

“Enter.” Then use the left/right arrow keys to access the “Time Info” submenu.

- ◆ Use the left/right arrow keys to select “Tilt Life Hrs”, and press “Enter” to display the value.

Last Run Hrs

Shows the fixture’s length of operation since the last time this counter was reset.

- ◆ Access the menu by pressing the “Mode Esc” key.
- ◆ Use the up/down arrow keys to reach the “INFO” menu and press “Enter.” Then use the left/right arrow keys to access the “Time Info” submenu.
- ◆ Use the left/right arrow keys to select “Tilt Life Hrs”, and press “Enter” to display the value.

Timer PIN

The “Timer PIN” is the password required to reset the counter for “Last Run Hrs.” The PWD is 038.

- ◆ Access the menu by pressing the “Mode Esc” key.
- ◆ Use the up/down arrow keys to reach the “INFO” menu and press “Enter.” Then use the left/right arrow keys to select “Time Info.” Finally, use the left/right arrow keys to select “Timer PIN.”
- ◆ Scroll through using the left/right arrows until 038 appears and press “Enter” to confirm.

CLR LAST RUN

After entering the “Timer PIN”, you can reset the value for “Last Run Hrs” through this menu.

- ◆ Access the menu by pressing the “Mode Esc” key.
- ◆ Use the up/down arrow keys to reach the “INFO” menu and press “Enter.” Then use the left/right arrow keys to access “Clr Last Run” submenu.
- ◆ Use the left/right arrow keys to select “ON” to validate the reset.

TEMP. INFO

Head Temp.

Shows the current temperature of the fixture head.

- ◆ Access the menu by pressing the “Mode Esc” key.
- ◆ Use the up/down arrow keys to reach the “INFO” menu and press “Enter.” Then use the left/right arrow keys to access the “Temp.Info” submenu.
- ◆ Press “Enter” once again to display the temperature of the head.

SOFTWARE VER

Displays the software version of the fixture.

- ◆ Access the menu by pressing the “Mode Esc” key.
- ◆ Use the up/down arrow keys to reach the “INFO” menu and press “Enter.” Then use the left/right arrow keys to access the “Software ver” submenu.
- ◆ Press “Enter” once again to display the software version.

NETWORK

This menu directly displays the following network information for the fixture: IP address, subnet mask and MAC address

- ◆ Access the menu by pressing the “Mode Esc” key.
- ◆ Use the up/down arrow keys to reach the “INFO” menu and press “Enter.” Then use the left/right arrow keys to access the “Network” submenu.
- ◆ Press “Enter” once again to display the information.

TEST

HOME

Allows you to reset the functions from a DMX controller. You can select these functions by adjusting the channel.

- ◆ Access the menu by pressing the “Mode Esc” key.
- ◆ Use the up/down arrow keys to reach the “TEST” menu and press “Enter.” Then use the left/right arrow keys to access the “Home” submenu.
- ◆ Press “Enter” once again to select “All” or “Pan&Tilt.”

TEST CHANNEL

Tests each of the fixture’s settings (e.g., PAN, TILT).

- ◆ Access the menu by pressing the “Mode Esc” key.
- ◆ Use the up/down arrow keys to reach the “TEST” menu and press “Enter.” Then use the left/right arrow keys to access the “Test Channel” submenu.
- ◆ The fixture then runs in test position. Use the left/right arrow keys to scroll through and test each setting.

MANUAL CTRL.

Allows you to access all the fixture’s settings manually (e.g., PAN, TILT). The shutter and the electronic dimmer are by default 100% open.

- ◆ Access the menu by pressing the “Mode Esc” key.
- ◆ Use the up/down arrow keys to reach the “TEST” menu and press “Enter.” Then use the left/right arrow keys to access the “Manual Ctrl” submenu.
- ◆ Use the left/right arrow keys to scroll through and check each setting.

CALIBRATION

Calibrates certain settings such as Pan, Tilt and Zoom. The password required to access the calibration function is 050.

- ◆ Access the menu by pressing the “Mode Esc” key.
- ◆ Use the up/down arrow keys to reach the “TEST” menu and press “Enter.” Then use the left/right arrow keys to access the “Calibration” submenu.
- ◆ Press “Enter” once again to access the password (050), and press “Enter” to confirm.
- ◆ Use the left/right arrow keys to move from one setting to another and press “Enter” to access the calibration function of the setting. Finally, press “Enter” to confirm the change.

PRESET

SELECT PROG.

Allows to choose the program for “Program Run.”

EDIT PROG.

Allows you to edit internal programs.

EDIT SCENES

Allows you to edit scenes within the internal programs.

SCENES INPUT

The luminaire features a DMX recorder, which can receive the scenes programmed on your DMX controller. Set the desired number of scenes from the control panel. Then run the scenes from your controller. They will be automatically transmitted to the MAGICBURST.

MASTER/SLAVE MODE SETTINGS

A MASTER fixture can send up to 3 different sets of data to a SLAVE fixture (e.g., a MASTER fixture can control 3 different SLAVE fixtures which will each perform 3 different programs). The MASTER fixture sends the 3 programs in a continuous loop.

The SLAVE fixture receives data from the MASTER fixture according to the group to which the SLAVE fixture is assigned. For example, if the SLAVE fixture has been assigned to "Slave 1" in the menu "Set to Slave", the MASTER fixture sends "Auto Program Part 1" to this SLAVE fixture. If it was assigned to "Slave 2", the SLAVE fixture would receive the program "Auto Program Part 2" from the MASTER fixture.

To launch a program, follow this procedure:

1. Slave Settings - SLAVE fixture adjustment

Use the buttons to select "Function Mode."

Press ENTER to confirm.

Use the buttons to select "Set slave to."

Press ENTER to confirm.

Use the buttons to select "Slave 1", "Slave 2" or "Slave 3."

Press ENTER to confirm.

Press MODE/ESC to return to the main menu.

2. Automatic Program Run

Use the buttons to select "Function Mode."

Press ENTER to confirm.

Use the buttons to select "Auto Program."

Press ENTER to confirm.

Use the buttons to select "Master" or "Alone." "Master" sets the fixture as the master.

Press ENTER to confirm.

Press MODE/ESC to return to the main menu.

3. Program selection for Auto Pro Part

Use the buttons to select "Edit program."

Press ENTER to confirm.

Use the buttons to select "Select programs."

Press ENTER to confirm.

Select "Auto Program Part 1", "Auto Program Part 2" or "Auto Program Part 3", for the Slave program to be sent. Selecting "Part 1" will cause the SLAVE to run the same program as the MASTER fixture.

Press ENTER to confirm.

Press MODE/ESC to return to the main menu.

4. Program selection for Edit Program

Use the buttons to select "Edit program."

Press ENTER to confirm.

Use the buttons to select "Edit program."

Press ENTER to confirm.

Use the buttons to select the desired program.

You can edit specific scenes in a given program.

Press ENTER to confirm.

Press MODE/ESC to return to the main menu.

5. Automatic Scene Recording

Use the buttons to select "Edit program."

Press ENTER to confirm.

Use the buttons to select "Edit scenes."

Use the buttons to select the number of desired scenes. (maximum

amount: 250 scenes)

Press ENTER to confirm.

Press MODE/ESC to return to the main menu.

Example:

"Program 2" includes scenes: 10, 11, 12, 13.

"Program 4" includes scenes: 8, 9, 10.

"Program 6" includes scenes: 12, 13, 14, 15.

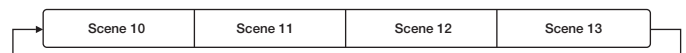
"Auto Program Part 1" is "Program 2."

"Auto Program Part 2" is "Program 3."

"Auto Program Part 3" is "Program 6."

The 3 groups of SLAVE fixtures run the "Auto Program" function in the following sequence:

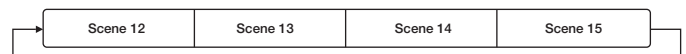
Part 1:



Part 2:

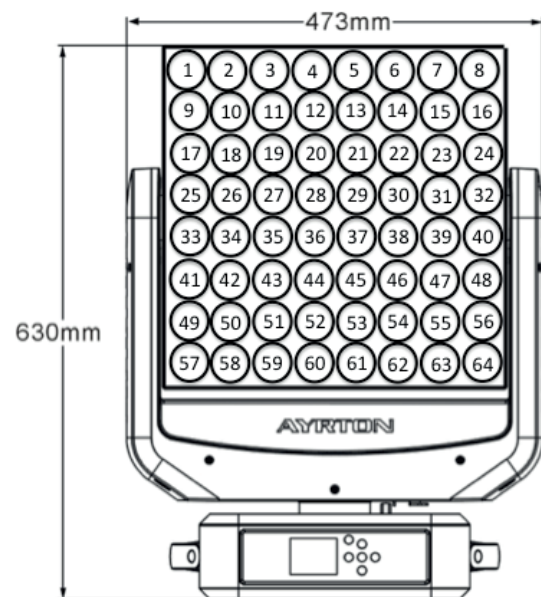


Part 3:



LED MAPPING

The diagram shows the order of the LED addresses from a front view of the luminaire and control panel.



DMX CHART

following chart shows the functions and corresponding values for each DMX channel according to mode whether Standard (St), Basic (Ba), Extended (Ex) or Pixel Mode (Pix):

DMX channel's functions and their values (12 - 203 DMX channels):					
Mode/Channel				Value	Function
St	Ba	Ex	Ex2		
A1	A1	A1	A1		PAN Movement 8bit :
				0-255	Pan Movement
A2		A2	A2		Pan Fine 16bit
				0-255	Fine control of Pan movement
A3	A2	A3	A3		TILT Movement 8bit :
				0-255	Tilt Movement
A4		A4	A4		Tilt Fine 16bit
				0-255	Fine control of Tilt movement
A5	A3	A5	A5		Speed Pan/Tilt movement:
				0-225	max to min speed
				226-235	blackout by movement
				236-255	no function
A6	A4	A6	A6		Pan Motor continuous rotation
				0-127	no function
				128-189	Forwards Pan rotation from fast to slow
				190-193	No rotation
				194-255	Backwards Pan rotation from slow to fast
A7	A5	A7	A7		Tilt Motor continuous rotation
				0-127	no function
				128-189	Forwards Tilt rotation from fast to slow
				190-193	No rotation
				194-255	Backwards Tilt rotation from slow to fast
A8	A6				Dimmer intensity:
				0-255	Intensity 0 to 100%
A9	A7				Duration:
				0-255	Duration from 2msec to 600msec
A10	A8				Rate:
				0-5	led off
				6-255	From 1 flash every 4 sec to 25 flash every sec
A11	A9	A8	A8		Chase Patterns:
				0--9	Led turn off
				10	Chase 1
				11	Chase 2
			
				235	Chase 226
				236	Chase 227
				237-255	Reserved
A12	A10	A9	A9		Chase Speed:
				0-125	Fast to Slow Backward
				126-130	Stop(Speed=0)
				131-255	Slow to Fast Forward
A13	A11	A10	A10		Chase Fade:
				0-255	Fade Chase
		A12	L1		Dimmer intensity Section 1:
				0-255	Intensity 0 to 100%
		A13	L2		Duration Section 1:
				0-255	Duration from 2msec to 600msec
		A14	L3		Rate Section 1:
				0-5	LED off
				6-255	From 1 flash every 4 sec to 25 flash every sec

DMX channel's functions and their values (44 DMX channels)					
Mode/Channel				Value	Function
St	Ba	Ex	Ex2		
		A201	L190		Dimmer intensity section 64:
				0-255	Intensity 0 to 100%
		A202	L191		Duration section 64:
				0-255	Duration from 2msec to 600msec
		A203	L192		Rate section 64:
				0-5	LED off
				6-255	From 1 flash every 4 sec to 25 flash every sec
A14	A12	A11	A11		Reset, internal programs:
				0-79	Normal
				80-84	All motor reset
				85-87	Scan motor reset
				88-90	no function
				91-93	no function
				94-96	no function
				97-99	no function
				100-119	Internal program 1 (scene 1~8 of EEPROM)
				120-139	Internal program 2 (scene 9~16 of EEPROM)
				140-159	Internal program 3 (scene 17~24 of EEPROM)
				160-179	Internal program 4 (scene 25~32 of EEPROM)
				180-199	Internal program 5 (scene 33~40 of EEPROM)
				200-219	Internal program 6 (scene 41~48 of EEPROM)
				220-239	Internal program 7 (scene 49~56 of EEPROM)
				240-255	Internal program 8 (scene 57~64 of EEPROM)

ERROR MESSAGES

When you turn on the MAGICBURST, it will first perform an automatic reset. The display may show "Err channel is XX" indicating there is a problem with one or more of the channels. "XX" represents channel 1, 2, 3, 4, 5 or 6, which contain the testing sensor for positioning. For example, the message, "Err channel is Pan movement", indicates an error in channel 1. If there is an error on channel 1 and channel 3 at the same time, the following error message may appear: "Err channel is Pan movement", "Err channel is Tilt movement". The system will flash twice, and the fixture will generate a second reset. If the error message persists after more than two resets, the channels showing errors will not work properly but the other channels will function normally.

Please contact your authorized dealer or manufacturer for service and do not attempt to repair the luminaire yourself.

PAN- movement Er
(PAN-yoke movement error): This message will appear after the reset if the yoke's magnetic-indexing circuit malfunctions (failed sensor or magnet missing) or the stepping-motor is defective (also caused by its driving IC on the main PCB). The PAN- movement does not return to the

default position after the reset.

TILT- movement Er

(TILT-head movement error): This message will appear after the reset if the head's magnetic-indexing circuit malfunctions (sensor failed or magnet missing) or the stepping-motor is defective (also caused by its driving IC on the main PCB). The TILT- movement does not return to the default position after the reset.

CARE AND MAINTENANCE

The care and maintenance of your MAGICBURST should be ensured by a qualified technician. Your MAGICBURST requires regular servicing. The frequency depends essentially on its operating conditions and environment. Intensive use in a dusty environment, or a lack of ventilation around the fixture, may disrupt operation, result in overheating and cause damage that is not covered by the warranty.

WARNING!

Disconnect from mains before servicing.

UPDATING THE LUMINAIRE

Ayrton is continually upgrading this product line. It is therefore possible that a new software version is available that will increase the unit's capabilities.

Updates are performed using Ayrton's update box. Contact your dealer for more information.

To display the version of your device, go into the "Info" menu and select "Software version" (see options details under the "INFO" menu). It is advisable to use the same software version for multiple fixtures.

CLEANING

Your MAGICBURST requires cleaning at regular intervals. Be aware that accumulated dust and residue on the air vents, body and glass of the fixture may reduce efficiency and impair proper operation.

Before cleaning, disconnect the power cable from source.

Use compressed air to blow away dust particles accumulated on and between the cooling fins at the rear of the luminaire's optical system.

Clean the glass of the fixture with a slightly damp soft cloth. When necessary, use a non-alcohol-based glass cleaner. Never use harsh solvents!

WARNING!

Never use alcohol or any chemical agent to clean the optical system of an Ayrton product.

COMPLIANCE CHECK

Your installation should be checked regularly by certified service center. In addition, the following should be checked once a year by a qualified technician:

- The fixture's attachment system must be correctly installed and show no sign of corrosion.
- The fixture's mounting bracket should not be distorted in any way or show any trace of corrosion.
- The safety cable should be attached at the appropriate spot.
- Mechanical parts should show no sign of wear.
- The electrical cables should show no sign of wear, cuts or splices.

TECHNICAL SPECIFICATIONS

OPTICAL

- High-efficiency optical system

LIGHT SOURCE

- 3840 high-power white mono-chip LED emitters
- Brightness: up to 240000 lumens
- Estimated lifespan of LED emitters: 50,000 hours
- Guaranteed "no-flicker" effect perfectly suited for television applications and all video recorded events

DIMMER, STROBE

- Electronic dimmer for light adjustment from 0 to 100% without color change (16-bit)
- High-speed strobe effect in white or color at 1 to 25 flashes/second
- Pre-programmed variable strobe effects

SOFTWARE FEATURES

- Full menus for setting DMX address and advanced functions
- Compatible with the DMX/RDM (Remote Device Management) protocol
- Pre-programmed macro modes
- Information menu including: timer, temperature, software version, etc.

CONTROL

- USITT DMX512 – ArtNet II
- Automatic features for managing your luminaire without a DMX console
- DMX RDM-compatible
- Integrated control panel with LCD display and 6 buttons
- DMX512 input/output
- Choice of 3 DMX modes (from 12 to 203 channels)
- Wireless System: LumenRadio wireless CRMX RDM receiver

POWER SUPPLY

- Electronic power distribution with Power Factor Correction (PFC) from 110-240 VAC, 50/60 Hz
- 1400 Watt maximum power
- Power supply via Neutrik powerCON True 1
- Supplied AC power cable

COOLING

- Advanced forced-air cooling system
- Self-adjusting fan for reduced noise level (in AUTO mode)
- User-selectable air-cooling modes

CONSTRUCTION

- Covers: molded PC-ABS thermoplastic, class V0 (fire retardant)
- Chassis: steel plates and aluminum
- 2 handles for transport
- Protection rating: IP20 (indoor use only)
- Finish: Carbon black

INSTALLATION

- 2 OMEGA brackets with quarter-turn locks included
- Safety cable attachment

OPERATING PARAMETERS

- Operating positions: on floor or attached to a support.
- Maximum authorized ambient temperature (Ta Max): 45°C (113°F)
- Minimum authorized ambient temperature (Ta Min): -10°C (14°F)
- Minimum projection distance: 5 m

DIMENSIONS

- Product: 473 mm x 641 mm x 307 mm (L x H x D)
- Protective foam: 600 mm x 720 mm x 410 mm (L x H x D)

WEIGHT

- Product: 18,9 kg
- Product in packaging with accessories: 36 kg

PRODUCT CODE

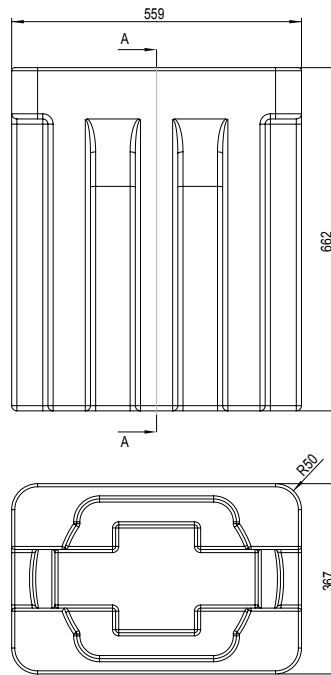
- 016850: MAGICBURST AUTOMATED LUMINAIRE

FOAM FOR FLIGHT CASE

MAGICBURST is delivered in a carton packed with a dense, protective foam surrounding the fixture. This reusable protective shell is intended for a flight case that can be custom built for the luminaire.

AYRTON does not offer custom flight cases for the MAGICBURST. This accessory is to be provided by the user.

The main dimensions of the protective shell appear in the following diagram:



WARRANTY

The AYRTON MAGICBURST fixture is guaranteed against manufacturing defects for the duration of one (1) year from the date of purchase.

This warranty does not cover the unit for evidence of physical shock or damage caused by abuse or any use not in accordance with the operating conditions set forth in the present user manual.

In addition, cosmetic defects caused by the normal wear and tear of the unit are not covered under the warranty.

Any modification to the fixture will void the warranty. AYRTON cannot under any circumstances be held liable for quality and conformity regarding the installation of this product, which is the responsibility of the installer.

Broken glass lenses on the MAGICBURST, and any damage that could arise thereof, are excluded from the warranty. Any possible cosmetic defects, provided you report them to your AYRTON dealer upon unpacking the device and before use, may be covered by the warranty.

Note:

The manufacturer is not responsible for any errors or omissions that may occur in this document. All information contained in this manual is subject to change without notice.



AYRTON

Digital Lighting