

PRODUCT SPECIFICATION SHEET



MONSOON

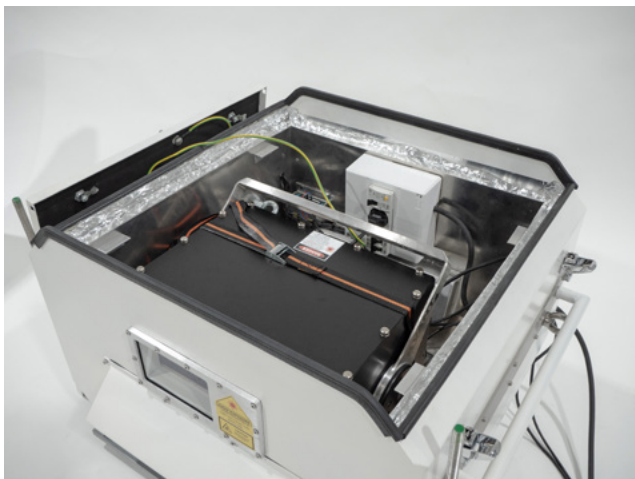
For Atom, Spectrum series

KVANT[®]
www.kvantlasers.sk



Introduction

Monsoon from KVANT is a robust and durable enclosure that will protect your equipment, such as laser and video projectors, against harsh weather conditions, extreme temperatures and high humidity. Its galvanised steel construction makes it suitable for permanent indoor & outdoor installations in almost any climate and environment. Monsoon's IP65 design, automatic temperature control management and quality air filters ensure protection against heat, cold, rain, snow, sand and dust. Monsoon is available with or without an external AC unit. If you plan to use it in an environment with temperatures exceeding 35 °C, please consider this option.



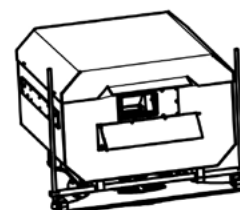
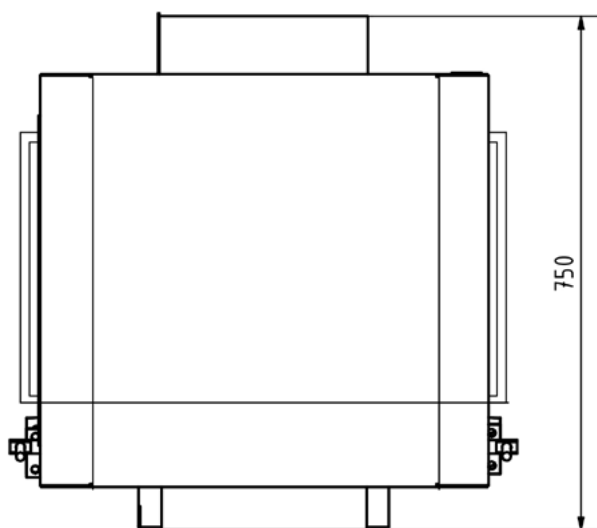
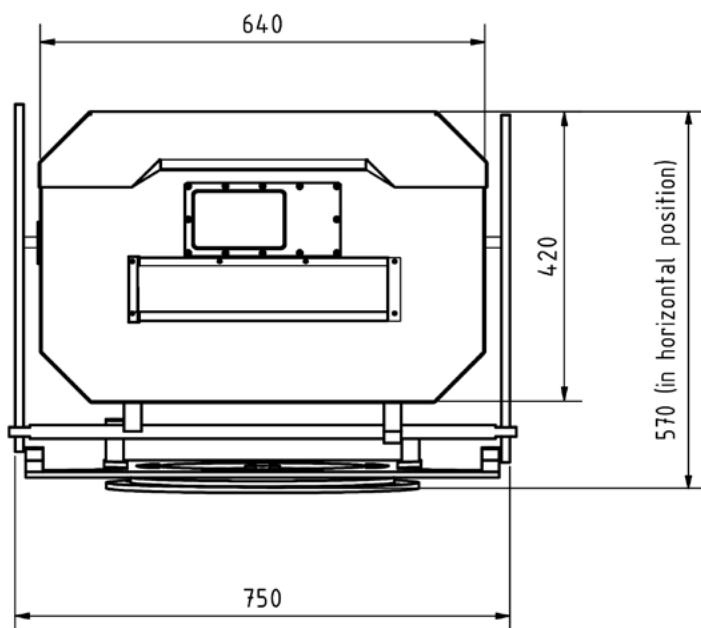
Description

Monsoon Atom/ Spectrum is suitable for all Atom/ Spectrum series systems (9-33 Watts).

Main Features:

- Robust double-wall construction with a thick layer of quality insulation offers excellent performance. But for those places with extremely high temperatures, there's also a version with air-conditioning module available.
- The fully automatic temperature control management ensures that protected equipment runs in ideal conditions and extends its life span.
- Galvanised steel construction makes Monsoon suitable for permanent indoor & outdoor installations in almost any climate and environment.
- A smooth front panel with sunk aperture glass and an internal heating element around the aperture prevents the snow and ice from getting stuck at the output window and eliminates the inside dew.
- Supplied cables are 10m long, but can be ordered in different lengths.
- Monsoon is IP65 certified, robust and made to last.

Technical drawings



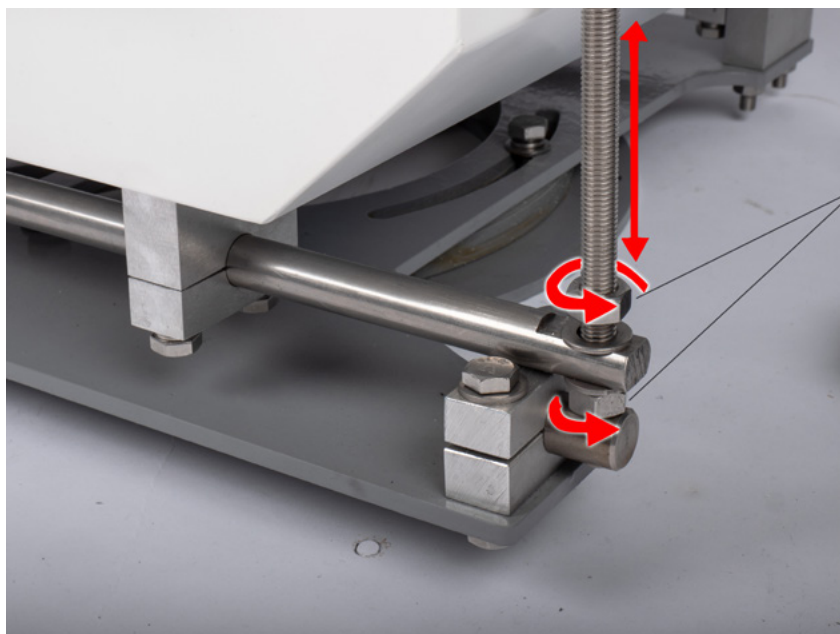


Technical specification

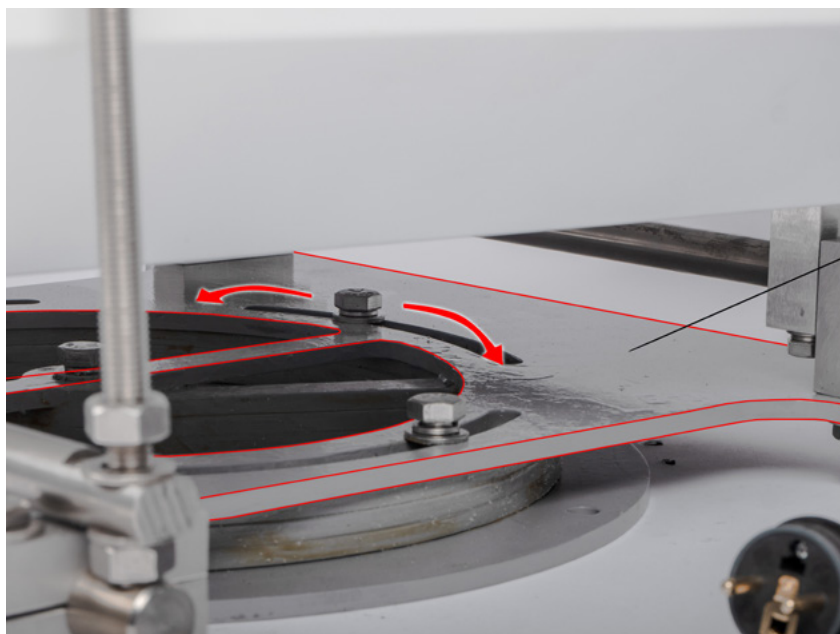
Monsoon Atom/ Spectrum

Ingress protection rating:	IP65 [Certification in progress]
Operation temperature [°C]:	-20 to 40
Housing colour:	RAL 9010 as standard, other RAL colours on request
Laser safety:	Laser Class 4 stickers
Size [mm]:	750 x 730 x 560 [WxHxD]
Shipping size [mm]:	1200 x 930 x 800 [WxHxD]
Weight [kg] - enclosure:	33.5
Weight [kg] - mounting bracket:	30.5
Shipping weight [kg]:	100
Supplied accessories:	AC power cable, 3-pin XLR remote cable, Ethernet cable, 17/19mm spanner, mounting bracket
Supplied spare parts:	Air-filter
Available spare parts:	Aperture AR glass, air-filter
Supplied cable length:	10 metres
Casing construction:	Two-ply with 30-50mm inner insulation foam
Aperture size [mm]:	130 x 80, 4mm thick AR glass
Aperture heating:	Internal; regulated with a thermostat
Aperture protection:	Top-side aperture overlap
Ventilation:	3 cooling fans, each 220m ³ /h; 71dBA
Airflow outlet:	Front-side, below the output aperture
Air-conditioning:	External AC unit - available from 5/2021
Power requirements [V] Input:	100-230/50-60Hz
Max. power consumption [VA]:	340
Electrical safety:	1x RCD, 1x circuit-breaker
Maximum tilt [degrees]:	50 on both axes, secured with 2xM10 bolts with safety nuts
Inside equipment fixings:	Rubber-feet slots, ratchet strap
Carrying handles:	2 heavy-duty handles, one on each side
Access restriction:	Lid lockable with 2 locks with hatches
Production schedule:	4-5 weeks
Used materials	Al [housing], galvanized-steel [bracket]
Safety eyelet	Located at the rear of the unit

Position Setup



Nuts for high adjustments and locking in position.



Base rotation

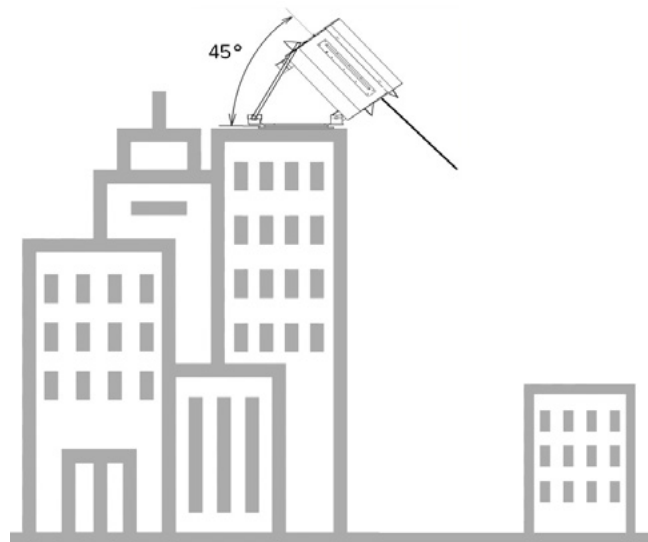
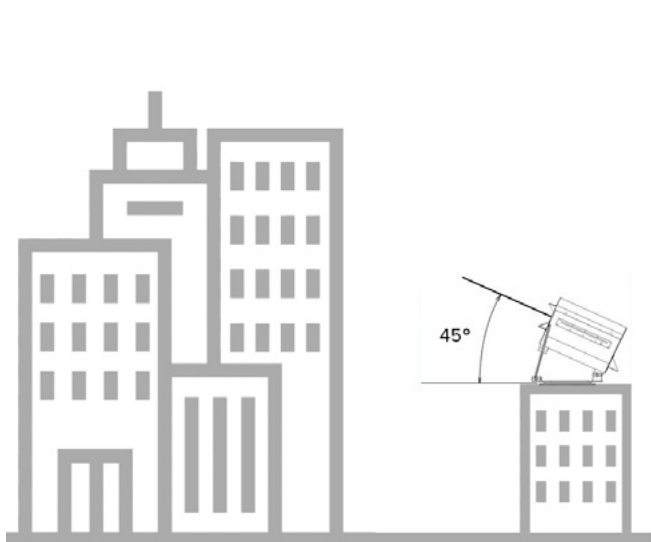
Positioning

The tilt mechanism can be mounted at the front of the Monsoon, or the rear - depending on which direction it needs to be tilted.

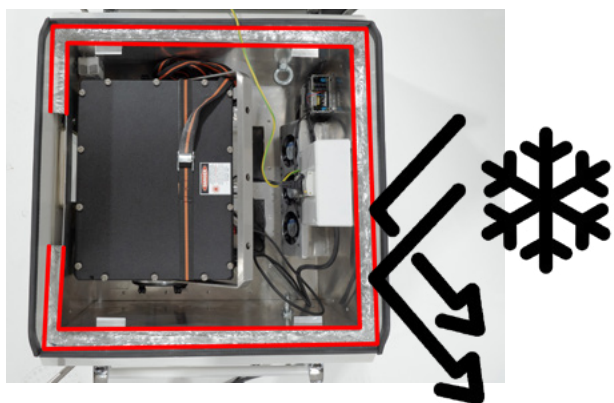
Front tilting



Back tilting


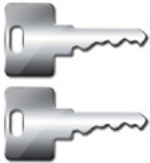





Features



Item Checklist

Before starting, check that all the following items have been included. If anything is missing, contact your supplier.

Item	Number of units	Description
	1	Monsoon Atom/Spectrum outdoor housing box
	2	Set of Lock Keys
	1	Fork wrench size 17 and 19
	1	User manual USB drive
	1	Wooden case

Cooling system

Monsoon Atom/Spectrum is available with or without an external air-conditioning unit.

If you plan to use Monsoon in an environment with temperatures exceeding 35 °C, please make sure to choose the AC option.

The AC unit can be attached to Monsoon from three directions, as showed on the drawings below.

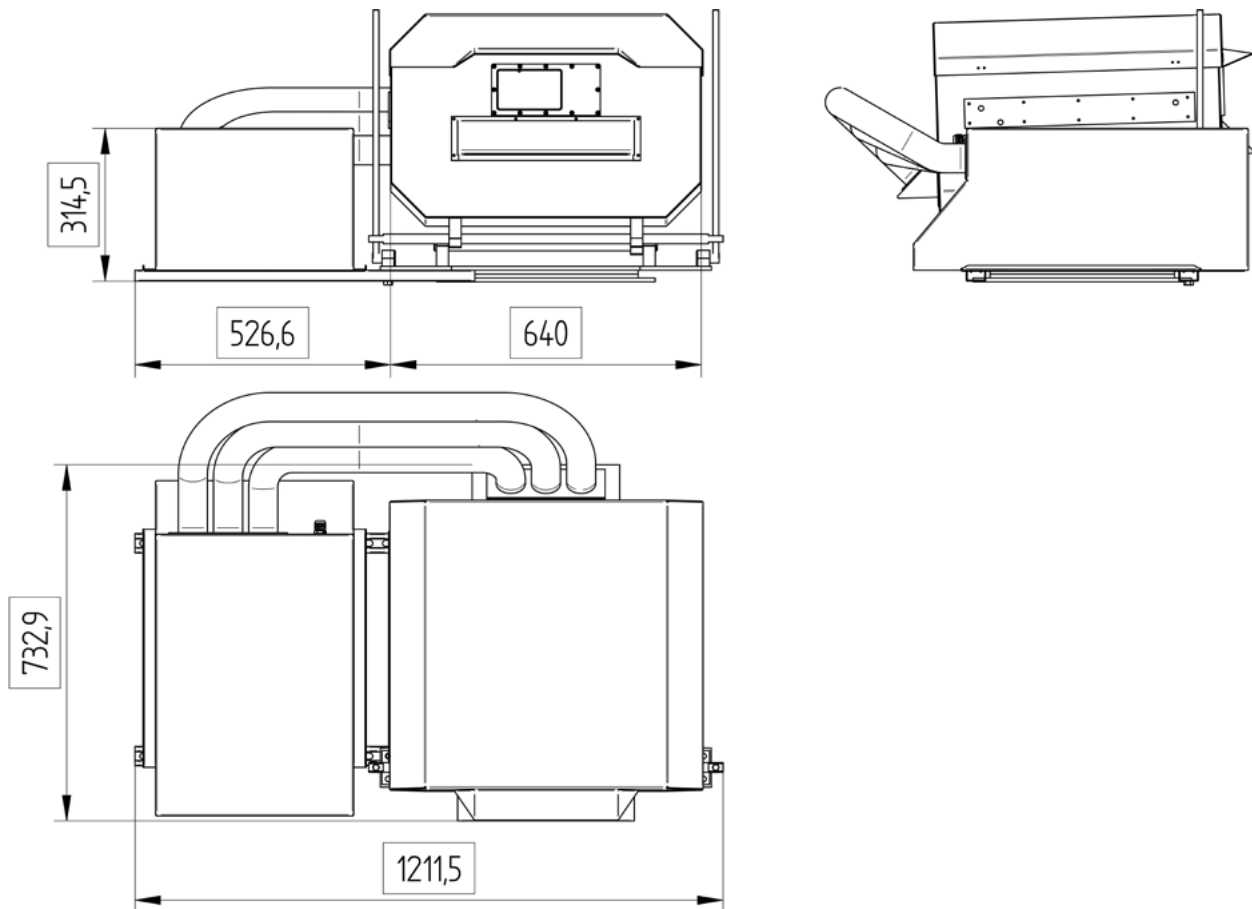
Power supply 230V - 240V ~ 50Hz

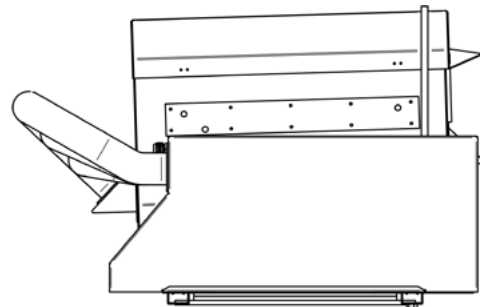
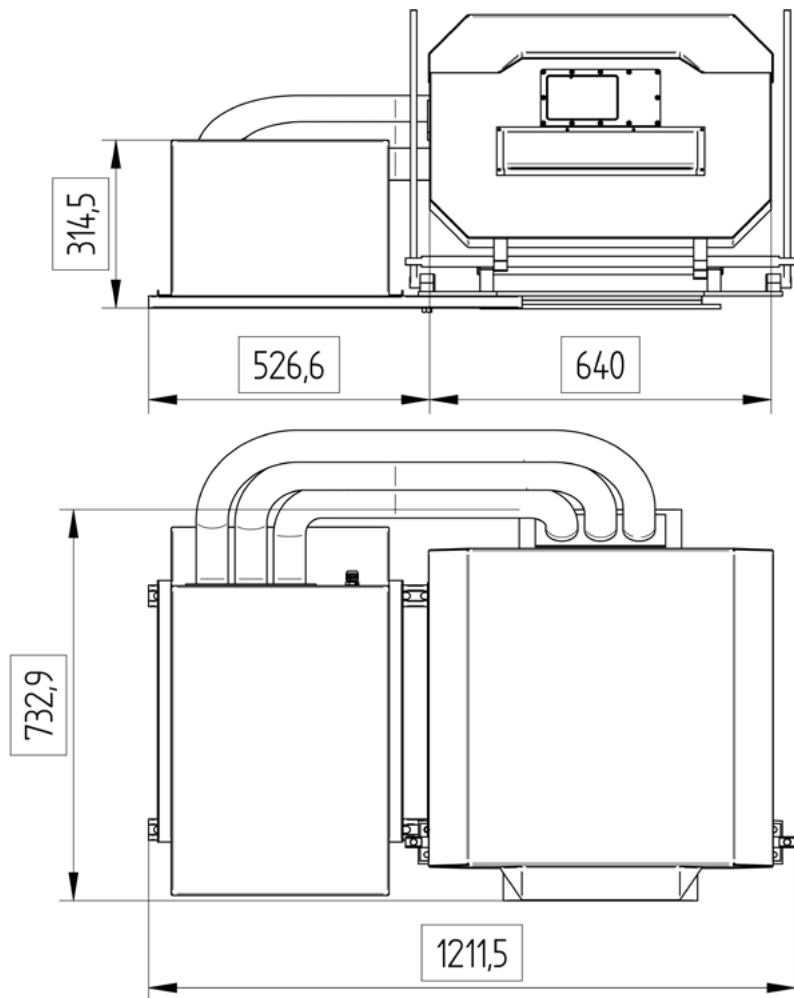
Power consumption: 2.8A

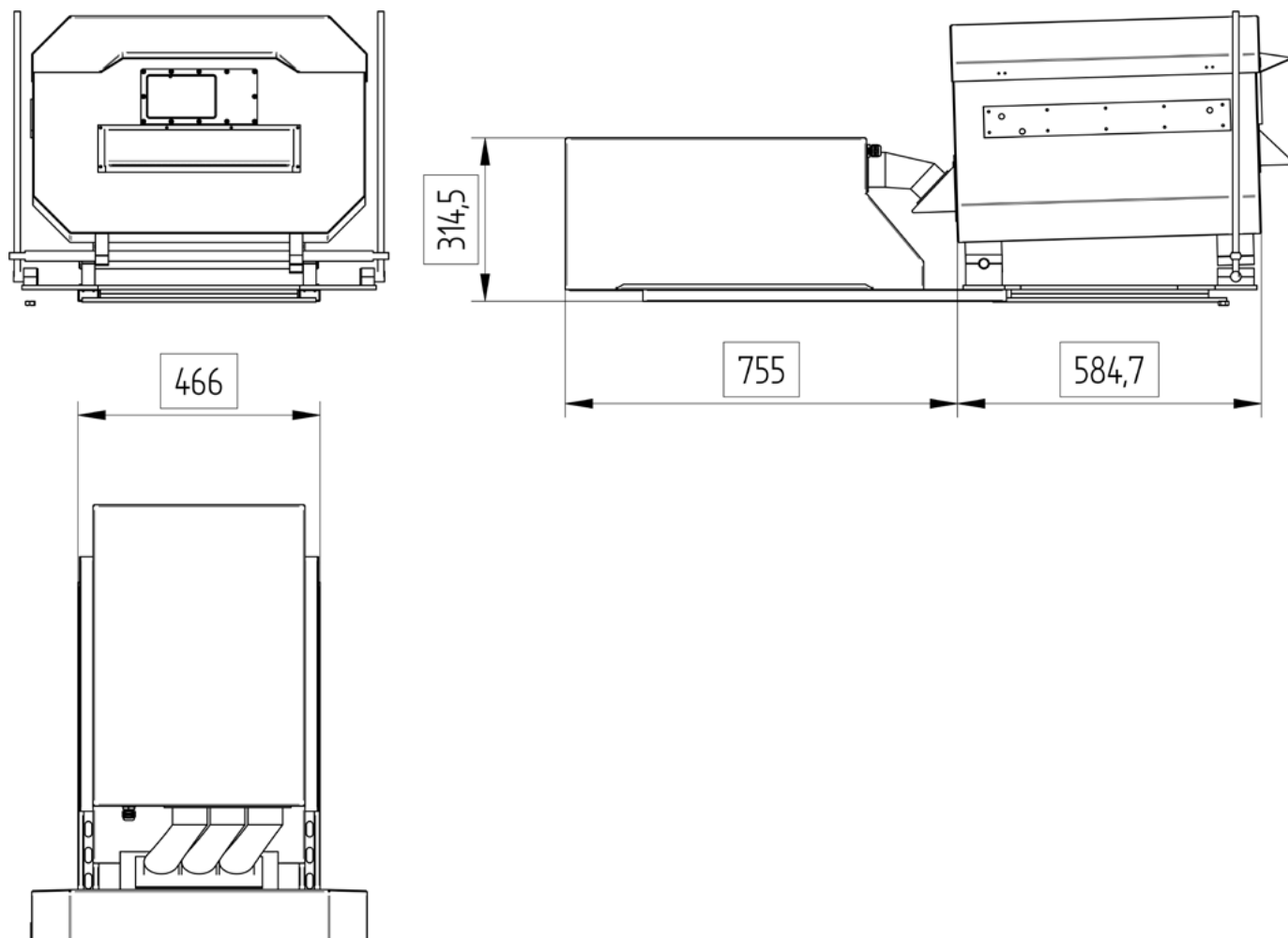
Start-up current: 15A (150 ms)

Cooling power: 1800 W

Deployment range: +16°C to +40°C







The AC unit will be available from May 2021