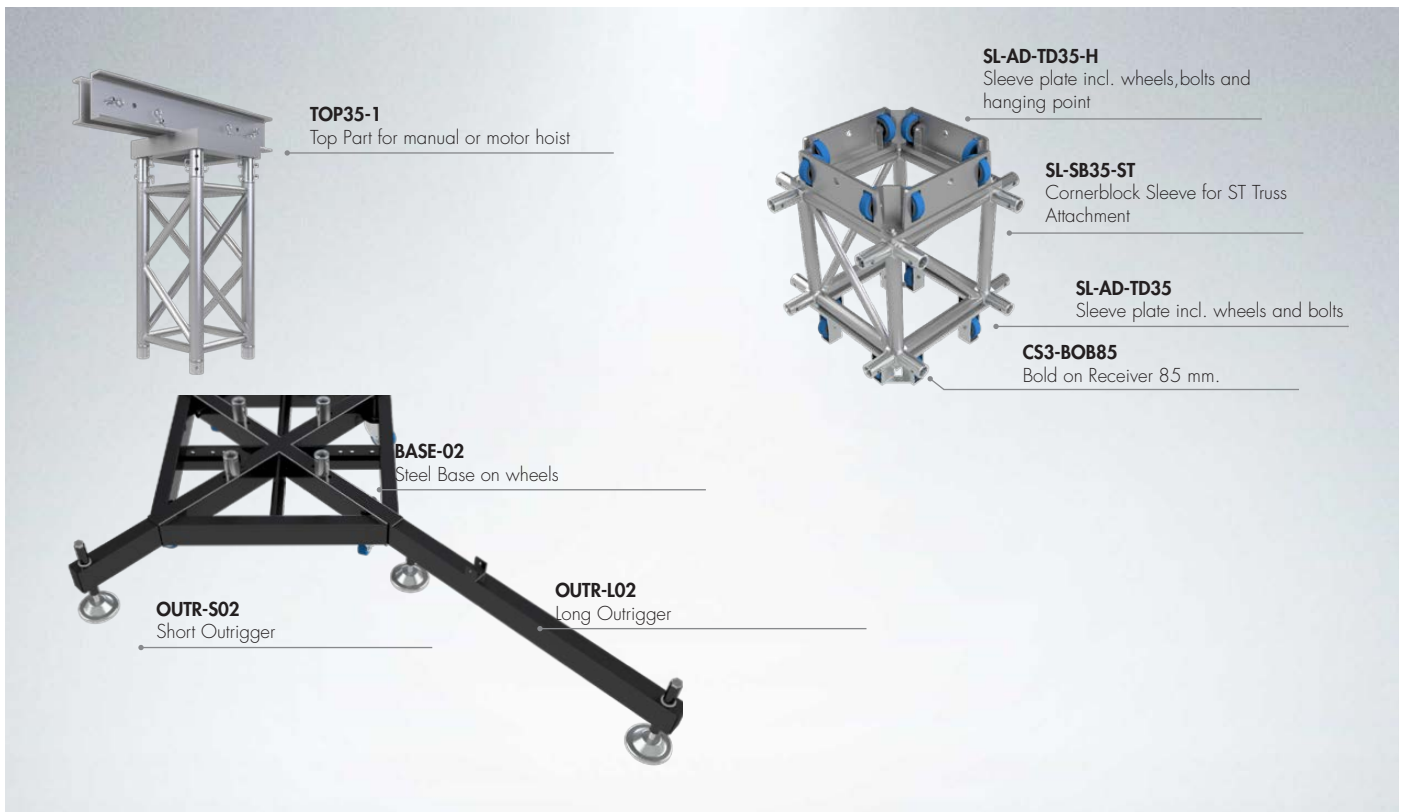


TD35 Tower The ST truss support tower

The TD35 Tower makes for an excellent vertical truss that allows the safe, quick lifting of regularly loaded horizontal ST Truss Rig and Roofs to their service height. In terms of static, the TD35 Tower is designed for a high flexural- and pressure strain. Especially due to the roofs this high flexural strain is required.

TD35 Tower Truss is a square 35cm heavy duty truss with one on side integrated horizontal bracing for safe and easy climbing. Naturally this TD35 Truss has been made according DIN EN 1999- 1-1 & 1999 -1-1/A2 within Eurocode 9 and approved by TuV.



Facts

- Steel base equipped with high quality cast wheels
- Sleeve block made out of a ST corner block
- Multifunctional Top Part for use with manual and motorized hoists
- Up to 14 meters (46 ft.)

Specifications TD35 Tower

Max. Height:	14 m. (46 ft.)
Max Loading:	2000 kg. (4400 lbs.)
Tower Truss:	TD35
Sleeve Block:	ST

Top section & Sleeve Blocks

A new multifunctional top part for use of manual chain hoist as well as motorized hoist has been redesigned and built stronger.

Standard sized ST corner block with the usage of 2 bolted sleeve plates guarantees a perfect geometric rig. These blocks make it possible to fit the ST Truss to all four sides by using bolted receivers. The upper sleeve plate is equipped with an integrated hanging point.

Hinge set

A strong, safe and cost effective solution to erect the TD35 Tower. The hinge sets are 100mm long. Those half connectors with a hinge fork allow a very high vertical load. 4 Hinge sets (2 left and 2 right) are required per tower.

Base section & Outriggers

Steel Base on wheels available with short outriggers and long outriggers in combination with stabilizer bars.

Ballast Safe

Product Code BS-35

The Ballast-Safe is a full integrated base in a stage and gives the benefit of reducing the total required ballast by taking the self weight of the stage structure. The support beams of the Ballast-Safe are equipped with steel wedge heads to attach the guy wires. The Ballast safe allows you to set your towers and roof up on a flat, levelled platform which saves you a ton of build up time.

Ballast Base

Product Code BL-35

This is an alternative base frame which is an engineered steel flexible frame to the base to put ballast on. Solid wheels enables you to transport the ballast easily and sufficient spindles lock down the frame. Standard pallet sized ballast fit on the base frame to ensure you the correct positioning of the ballast.

Erecting System

Product Code TES-35

This easy and fast tower frame, strapped with ratches to the main truss, can be used to erect the towers with just the help of an electrical chain hoist.