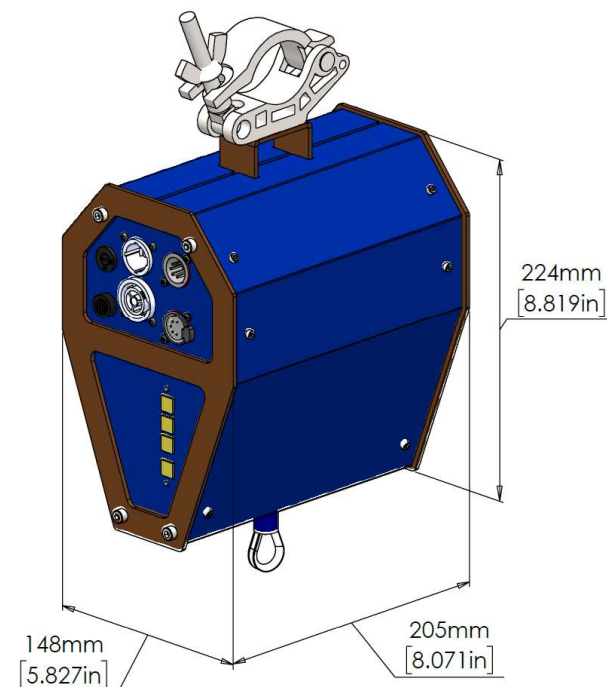


# Winch 10

Item No. 241

## TECHNICAL DATA

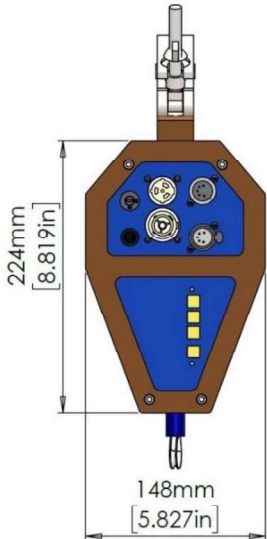
<b>MODEL:</b>	Winch 10
<b>ITEM NO.:</b>	241
<b>DIMENSIONS (LxWxH):</b>	205 x 148 x 246 mm (8,1 x 5,8 x 9,7 in)
<b>POWER SUPPLY:</b>	115/230 VAC (50-60 Hz)
<b>POWER CONSUMPTION:</b>	120 W (1,1/0,6A)
<b>POWER INLET:</b>	Neutrik powerCON TRUE1 NACPX (F/M)
<b>DMX CONTROL SIGNAL:</b>	DMX 512 1990+DMX512A / 7 channels used
<b>DMX CONTROL CONNECTION:</b>	5 Pole XLR (F/M)
<b>LIFTING CAPACITY:</b>	10 kg (22 lb)
<b>LIFTING HEIGHT:</b>	10 m (32.8 ft)
<b>LIFTING SPEED:</b>	5-30 cm/s (2-11.8 in/s)
<b>SNAP HOOK:</b>	8 mm (5/16 in) galvanized steel
<b>FLEET ANGLE:</b>	None
<b>FLEET TRAVEL:</b>	None
<b>OVERLOAD CAPABILITY:</b>	125%
<b>MINIMUM LOAD:</b>	0,45 kg (0.99 lb)
<b>NOISE EMISSION:</b>	≈55 dB at 1m (3.3 ft)
<b>AMBIENT TEMPERATURE:</b>	5-40 °C (41-104 °F)
<b>WEIGHT:</b>	5,5 kg (12.1 lb)
<b>MOUNTING CLAMP:</b>	1x Slim eye coupler 42-52mm (2 in)
<b>MOTOR:</b>	24 VDC, 54W
<b>DUTY CYCLE:</b>	30% when running more than 10min.
<b>LIFTING WIRE SPECIFICATIONS:</b>	
<b>LIFTING WIRE:</b>	2 mm (5/64 in) 7x7 galv. steel wire (EN 12385-4)
<b>MINIMUM BREAKING LOAD:</b>	280 kg (2746 N / 617 lb)
<b>WIRE SAFETY FACTOR:</b>	>10
<b>EXPECTED LIFTING WIRE LIFETIME:</b>	Up to 80.000 full cycles at 2,5 kg (5.5 lb) Up to 20.000 full cycles at 5 kg (11 lb) Up to 15.000 full cycles at 10 kg (22 lb)



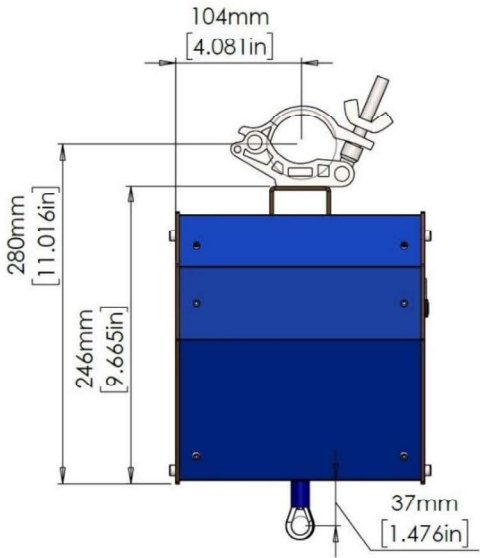
# Winch 10

Item No. 241

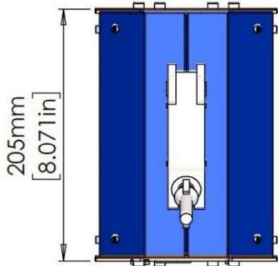
**FRONT VIEW**



**SIDE VIEW**



**TOP VIEW**



**BACK VIEW**

