



**Tornado-KT2**



**Tornado-KT2CW**

**Description**

The Tornado series is a miniature sound source designed for high-quality distributed systems. Housed in a compact aluminum enclosure, the Tornado is suitable for space sensitive and architectural design installations. The Tornado is a turnkey loudspeaker solution: designed as passive speakers that can be easily converted into self-powered devices by inserting the KA1-T2H 12V/24V amplifier module. Tornadoes have a proprietary 2" high-efficiency drive unit with a neodymium magnet structure and a suspension engineered for maximum linear excursion and minimum residual transducer interference. The cone transducer delivers an impressive maximum peak SPL of 107 dB, and has a wide operating frequency range from 150 Hz to

18 kHz with very low distortion. With its ability to effortlessly reproduce both speech and music, it makes an excellent choice for fixed applications such as museum displays, restaurants, cafes, department stores, portable systems for corporate AV presentations, and in hidden locations such as chancel steps in houses of worship. The KT2 and KT2W models come with a wall bracket for fixed installations or surface applications while the KT2C and KT2CW come with a ceiling brackets for ceiling mounts.

All Tornado components are designed by the K-array R&D department and custom made under the K-array quality control system.

| Colors |   | Features                 |                      | Frequent Applications        |                         |
|--------|---|--------------------------|----------------------|------------------------------|-------------------------|
| Black  |  | Visually Disceete        | Selectable Impedence | Cafes, Bistros & Restaurants | Theme Parks             |
| White  |  | Weather Resistent        | Lightweight          | Hotels                       | Transportion Facilities |
| RAL    |  | Electronically Protected | EN54-24 Certified    | Retail                       | Museums                 |

| Accessories |        |        |        |         |         |
|-------------|--------|--------|--------|---------|---------|
| KA1-T2H     | K-AL15 | K-AL66 | K-AL75 | K-AL120 | K-AL240 |

## Technical Specifications

| General                         |  |
|---------------------------------|--|
| Type                            | Point source   |
| Transducers                     | 2" neodymium magnet woofer                                 |
| Frequency Response <sup>1</sup> | 150 Hz – 18 kHz (-6 dB)                                    |
| Max SPL <sup>2</sup>            | 107 dB (peak)  |
| Rated Power                     | 18 W   |
| Coverage                        | V. 90°   H. 90°  |
| Connectors                      | 4PIN euroblock connector (included)                        |
| Nominal Impedance               | 8 Ω / 32 Ω selectable - 70V version available upon request |

| Handling & Finishes |  |
|---------------------|--|
| Dimensions (WxHxD)  | KT2: 74 x 74 x 118 mm (2.91 x 2.91 x 4.65 in) <sup>3</sup> |
|                     | KT2C: 125 x 125 x 119 mm (4.92 x 4.92 x 4.69 in)           |
| Weight              | KT2: 0.6 kg (1.32 lb)                                      |
|                     | KT2C: 0.65 kg (1.43 lb)                                    |
| Material            | Aluminum   |
| Colors              | Black, White, Custom RAL                                   |

| Regulations |                                      |
|-------------|--------------------------------------|
| IP Rating   | IP65                                 |
| EN54-24     | EN 54-24:2008 compliant <sup>4</sup> |

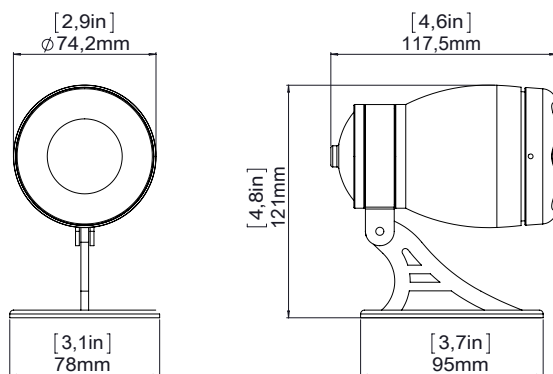
| Accessories           |  |
|-----------------------|--|
| Recommended Amplifier | Kommander-KA02, Kommander-KA14, Kommander-KA24, Kommander-KA84 |
| Accessories           | KA1-T2H, K-AL15, K-AL66, K-AL75, K-AL120, K-AL240              |

<sup>1</sup> With dedicated preset

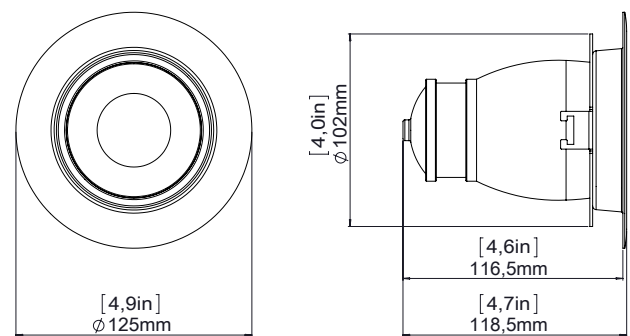
<sup>2</sup> Maximum SPL is calculated using a signal with crest factor 4 (12dB) measured at 1 m

<sup>3</sup> Bracket not included in measures

<sup>4</sup> See specification for EN 54-24 applications in products user's guide



**Tornado-KT2**



**Tornado-KT2C**

Notes for data:

Passive loudspeakers require dedicated presets loaded onboard K-array amplifiers.

New materials and designs are introduced into existing products without previous notice.

Present systems may differ in some respects from those presented in this catalog.

