

GS12 - GS18 - GS218 Passive Subwoofers



GS12

12" 4Ω 600 W
Passive Subwoofer

Technical Specifications
Type Passive subwoofer
Transducers 12" Ferrite magnet woofer
Frequency Response 37 Hz - 150 kHz (-6 dB)
Max SPL ¹ 122 dB (peak)
Coverage Omni
Power Handling 600 W
Nominal Impedance 4 Ω
Handling & Finishes
Dimensions (W x H x D) 410 x 445 x 430 mm (16.1 x 17.5 x 17 in)
Weight 19 kg (41,89 lbs)
Material Wood
Suggested Amplifiers
4x 1500W @ 4Ω GA46: 1x GS12 per output channel
4x 750W @ 4Ω GA43: 1x GS18 per output channel

GS18

18" 8Ω 750 W
Passive Subwoofer

Technical Specifications
Type Passive subwoofer
Transducers 18" Ferrite magnet woofer
Frequency Response 30 Hz - 150 kHz (-6 dB)
Max SPL ¹ 132 dB (peak)
Coverage Omni
Power Handling 750 W
Nominal Impedance 8 Ω
Handling & Finishes
Dimensions (W x H x D) 545 x 610 x 600 mm (21,5 x 24 x 23.6 in)
Weight 35,4 kg (76,37 lb)
Material Wood
Suggested Amplifiers
4x 1500W @ 4Ω GA46: up to 2x GS18 per output channel

GS218

2x 18" 4Ω 1600 W
Passive Subwoofer

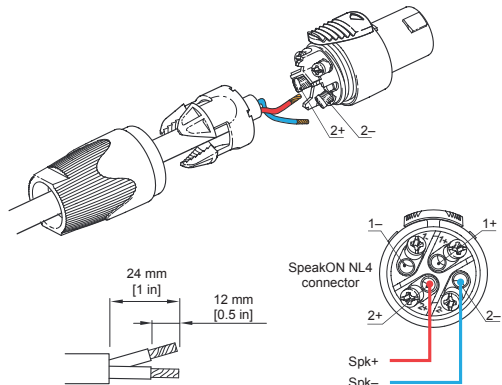
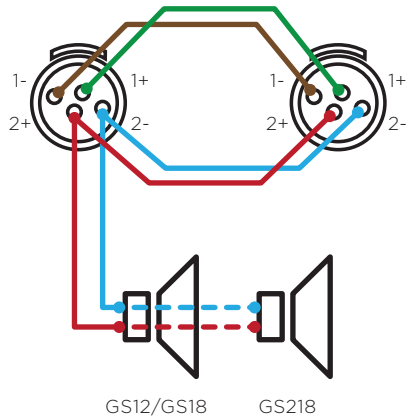
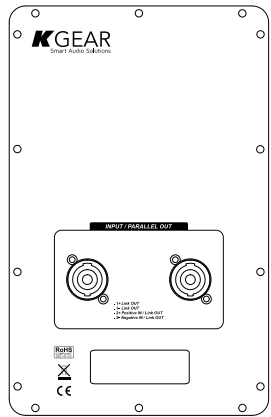
Technical Specifications
Type Passive subwoofer
Transducers 2x 18" Ferrite magnet woofer
Frequency Response 30 Hz - 150 kHz (-6 dB)
Max SPL ¹ 138 dB (peak)
Coverage Omni
Power Handling 1600 W
Nominal Impedance 4 Ω
Handling & Finishes
Dimensions (W x H x D) 1035 x 614 x 600 mm (40.7 x 24.2 x 23.6 in)
Weight 59 kg (130 lb)
Material Wood
Suggested Amplifiers
4x 1500W @ 4Ω GA46: 1x GS218 per output channel

The KGEAR passive subwoofers line comprises three heavy duty vented boxes equipped with 12", 18" and 2x18" high excursion transducers: GS12, GS18, GS218 respectively.

The weather resistant rugged subwoofers are designed for high performance outdoor and indoor applications, suiting both permanent installations, touring and rentals, in live events, clubs, auditorium, stadium, and theme parks.

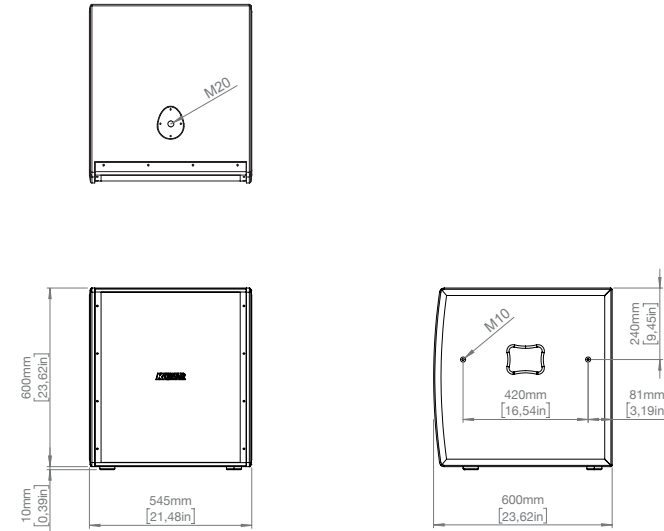
The GS12, GS18, GS218 subwoofers are the perfect companion for GH412 and GH12 loudspeakers as well as a superb low extensions for all other satellites and full-range speakers.

Rear panel

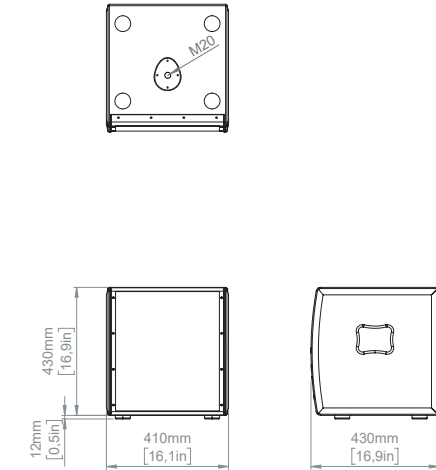


Mechanical Drawings

GS18



GS12



GS218

